

LEDxR90S Series Sealed Ring Lights



Datasheet

LED Ring Lights for Use with PresencePLUS® Pro Sealed Sensors



- Rugged, waterproof housing, rated IEC IP68
- 90 mm light diameter
- Solid-state LED matrix; continuous or strobed operation is selectable via sensor software
- Available with 316 stainless steel or nickel-plated aluminum housing and a choice of either acrylic or tempered optical glass windows
- Mounts directly to PresencePLUS® Pro washdown sensors
- LEDs directly illuminate target

Shown with cable installed; see Cables list for options



Important: Lea el siguiente instructivo antes de operar el luminario. Por favor descargue desde www.bannerengineering.com toda la documentación técnica de los LEDxR90S Sealed Ring Light, disponibles en múltiples idiomas, para detalles del uso adecuado, aplicaciones, advertencias, y las instrucciones de instalación de estos dispositivos.

Models

Models		LED Color	Housing	Optional Ambient Light Filter Kit	Optional Polarizing Filter Kit
Acrylic Window	Glass Window				
LEDIR90S-P	LEDIR90S-G	Infrared, 940 nm	Nickel-plated aluminum	FLTI, included with IR lights	LEDRPFK90
LEDRR90S-P	LEDRR90S-G	Visible red, 630 nm		FLTR, included with LEDRPFK90	
LEDWR90S-P	LEDWR90S-G	White, all visible		FLTB or FLTG	
LEDBR90S-P	LEDBR90S-G	Blue, 464 nm to 475 nm		FLTB	
LEDGR90S-P	LEDGR90S-G	Green, 520 nm to 540 nm		FLTG	
LEDIR90SS-P	LEDIR90SS-G	Infrared, 940 nm	316 Stainless steel	FLTI, included with IR lights	
LEDRR90SS-P	LEDRR90SS-G	Visible red, 630 nm		FLTR, included with LEDRPFK90	
LEDWR90SS-P	LEDWR90SS-G	White, all visible		FLTB or FLTG	
LEDBR90SS-P	LEDBR90SS-G	Blue, 464 nm to 475 nm		FLTB	
LEDGR90SS-P	LEDGR90SS-G	Green, 520 nm to 540 nm		FLTG	

Installing the Ring Light



Note: Before installing this product, Banner Engineering Corp. recommends installing a light filter behind the lens. The filter improves image quality by reducing unwanted ambient light. See Models table for further information.

1. Install and focus lens while holding ring light beside the sensor, illuminating the target.
2. Thread on ring light assembly until it is seated against the sensor.
3. Loosen the set screw and rotate the cable outlet to the desired position. Tighten set screw. Do not overtighten.
4. Install cable (not included, see page 3) to cable outlet.
5. Connect cable to power source.
6. Connect strobe signal output from Pro controller to strobe input wire (black) of light (optional).

Sensing Shiny Surfaces. To eliminate direct reflections without using polarizing filters, angle the sensor approximately 15° (or more) from perpendicular to a shiny surface.



Polarizing Kit. If it is necessary to mount the sensor at a 90° angle to a shiny surface, the polarizing filter kit provides filters for both the LED ring light and sensor to reduce the negative effects of strong, direct light reflections. The polarizing filters reduce the amount of light returned to the sensor.

Wiring Table

Cable Wire	PresencePLUS Pro Controller Terminal Block	External Power Supply (Strobed)	External Power Supply (Continuous)
Brown	Pin 1 (+V ¹)	+V	+V
Blue	Pin 2 (-V ¹)	-V	-V
Black	Pin 4 (strobe)	+5V DC OFF -V ON	-V

Cleaning Instructions

Regularly remove any dust, dirt, or fingerprints from the light source.

1. Blow off dust using anti-static compressed air.
2. If necessary, use a lens cloth and lens cleaner or window cleaner to wipe off remaining debris. Do not use any other chemicals for cleaning.

Specifications

Supply Voltage and Current

Infrared: 24V DC at 180 mA maximum
All other colors: 24V DC at 250 mA maximum
See the electrical characteristics on the product label.

Connections

8 mm male Pico-style connector; accessory cable required for operation, see [Cables for the LEDxR90S Series Sealed Ring Lights](#) on p. 3 for options

Construction

Housing: Nickel-plated aluminum or 100% 316 stainless steel, depending on model
Window: Acrylic or tempered optical glass window, depending on model

Environmental Rating

Nickel-plated models: IEC IP68
Stainless steel models: NEMA 4X; IEC IP68

Operating Conditions

Temperature: 0 °C to +50 °C (+32 °F to +122 °F)

Light Source

LED, see Models table for wavelengths

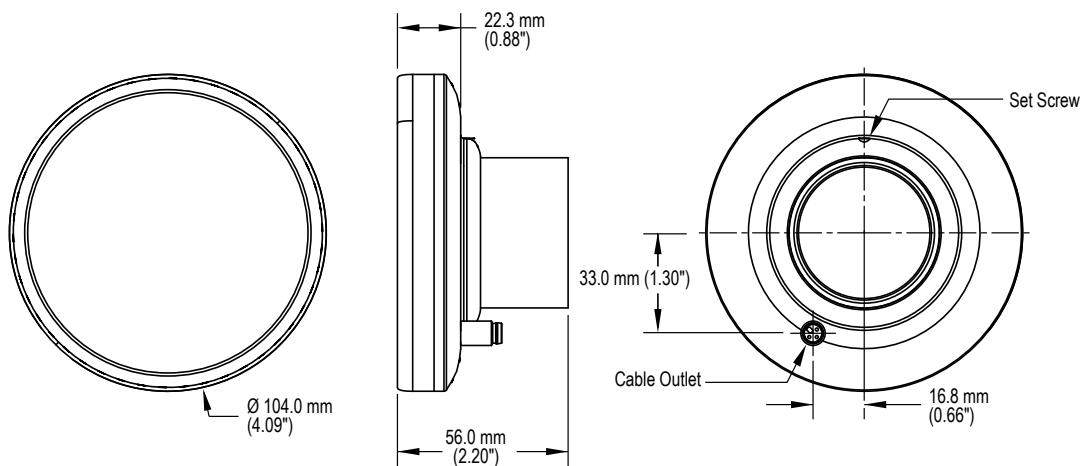
Illumination

High-intensity ring light

Useful Life

When operated within specifications, output will decrease less than 30% after 20,000 hours and less than 50% (less than 40% for red and IR models) after 30,000 hours.

Dimensions



¹ For Banner-supplied wire

Cables for the LEDxR90S Series Sealed Ring Lights

Model	Length	Description	Use With
PKG3M-4	4 m (13 ft)	Female Pico-style (8 mm) connector at one end; flying leads at opposite end	Nickel-plated aluminum models
PKG3M-7	7 m (23 ft)		
PKG3M-10	10 m (33 ft)		
PKG3M-4	4 m (13 ft)	Female Pico-style (8 mm) 316 stainless steel connector at one end; flying leads at opposite end	Stainless steel models
PKG3M-7	7 m (23 ft)		
PKG3M-10	10 m (33 ft)		

Banner Engineering Corp. Limited Warranty

Banner Engineering Corp. warrants its products to be free from defects in material and workmanship for one year following the date of shipment. Banner Engineering Corp. will repair or replace, free of charge, any product of its manufacture which, at the time it is returned to the factory, is found to have been defective during the warranty period. This warranty does not cover damage or liability for misuse, abuse, or the improper application or installation of the Banner product.

THIS LIMITED WARRANTY IS EXCLUSIVE AND IN LIEU OF ALL OTHER WARRANTIES WHETHER EXPRESS OR IMPLIED (INCLUDING, WITHOUT LIMITATION, ANY WARRANTY OF MERCHANTABILITY OR FITNESS FOR A PARTICULAR PURPOSE), AND WHETHER ARISING UNDER COURSE OF PERFORMANCE, COURSE OF DEALING OR TRADE USAGE.

This Warranty is exclusive and limited to repair or, at the discretion of Banner Engineering Corp., replacement. **IN NO EVENT SHALL BANNER ENGINEERING CORP. BE LIABLE TO BUYER OR ANY OTHER PERSON OR ENTITY FOR ANY EXTRA COSTS, EXPENSES, LOSSES, LOSS OF PROFITS, OR ANY INCIDENTAL, CONSEQUENTIAL OR SPECIAL DAMAGES RESULTING FROM ANY PRODUCT DEFECT OR FROM THE USE OR INABILITY TO USE THE PRODUCT, WHETHER ARISING IN CONTRACT OR WARRANTY, STATUTE, TORT, STRICT LIABILITY, NEGLIGENCE, OR OTHERWISE.**

Banner Engineering Corp. reserves the right to change, modify or improve the design of the product without assuming any obligations or liabilities relating to any product previously manufactured by Banner Engineering Corp. Any misuse, abuse, or improper application or installation of this product or use of the product for personal protection applications when the product is identified as not intended for such purposes will void the product warranty. Any modifications to this product without prior express approval by Banner Engineering Corp will void the product warranties. All specifications published in this document are subject to change; Banner reserves the right to modify product specifications or update documentation at any time. Specifications and product information in English supersede that which is provided in any other language. For the most recent version of any documentation, refer to: www.bannerengineering.com.

For patent information, see www.bannerengineering.com/patents.

Mexican Importer

Banner Engineering de México, S. de R.L. de C.V.
David Alfaro Siqueiros 103 Piso 2 Valle oriente
San Pedro Garza Garcia Nuevo León, C. P. 66269
81 8363.2714



more sensors, more solutions