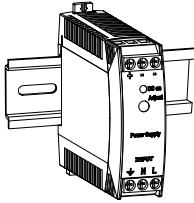
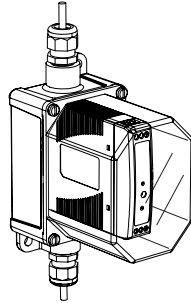


Datasheet

DIN Rail Mount 24 Volt Power Supply with Optional Enclosure



PSDINP-24-06



Power Supply with BENC4 Environmental Enclosure, Cable Gland Model

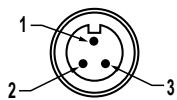
- Industry accepted low cost 24 V dc power supply
- Universal input (85–264 V ac) accepts 120–370 V dc
- Protection from short circuit, overloads, and over-voltage
- Can be installed on DIN rail TS-35/7.5 or 15
- NEC class 2/LPS compliant
- LED indicator for power ON and DC OK active signals
- Wide operating temperature range (-20° to +70° C [-4° to +158° F])
- Cooling by free air convection
- Can be used in NEMA-4X applications when used with the BENC4 environmental enclosure

Models

Power Supply Only, DIN Rail Mount	Power Supply with BENC4 Environmental Enclosure and Cable Gland	Power Supply with BENC4 Environmental Enclosure and Quick Disconnect	Current and Power Rating at 24 V
PSDINP-24-06	PSB4MK-24-06	PSB4MK-24-06-Q0Q5	0.6 A/15 W
PSDINP-24-13	PSB4MK-24-13	PSB4MK-24-13-Q0Q5	1.3 A/30 W
PSDINP-24-25	PSB4MK-24-25	PSB4MK-24-25-Q0Q5	2.5 A/60 W

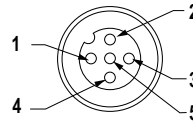
Wiring for PSB4MK Models

Input: Male 3-pin Mini, 100-240V ac, 11A



- 1 - Green (Ground)
- 2 - Brown (L)
- 3 - Blue (N)

Output: Female 5-pin Euro-Style, 24V dc, 11.7 A



- 1 - Brown (+24V)
- 3 - Blue (GND)

Temperature Considerations

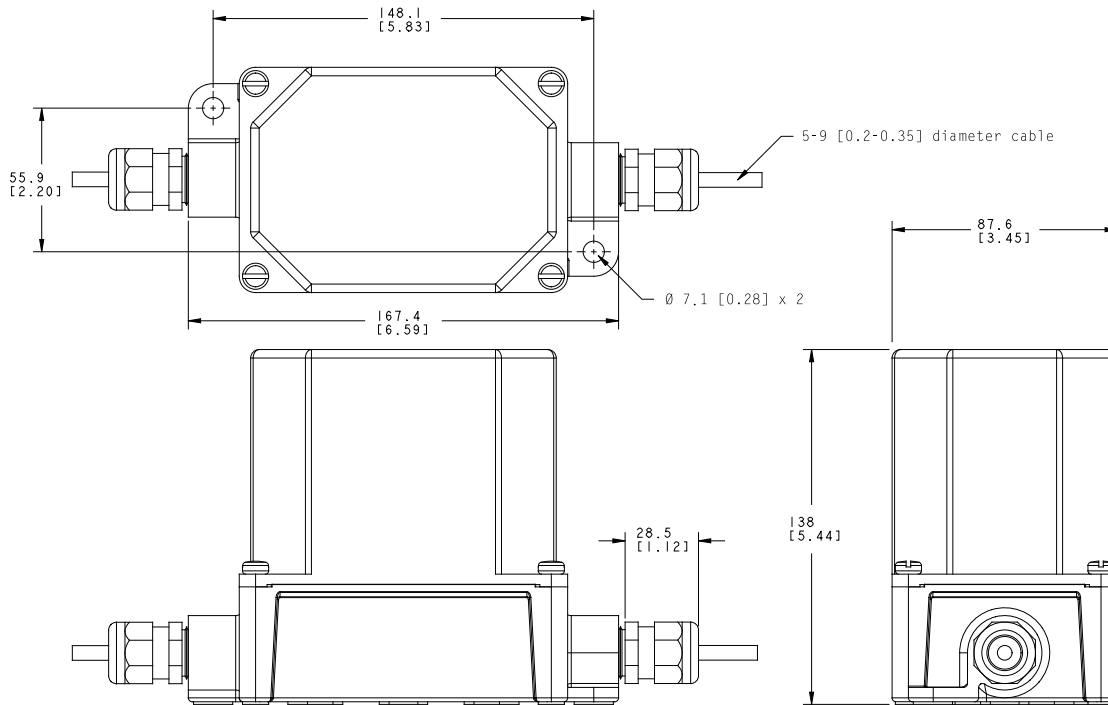
Certain temperature considerations must be made when using the power supply with the BENC4 environmental enclosure. Because the power supply is cooled by free air convection, the temperature within the enclosure will be higher than the outside air temperature. Use the following table when determining the de-rating needed to meet the power supply requirements.

Temperature Rise Above Ambient with BENC4 Environmental Enclosure		
Model	80% Load Temperature Rise °C	100% Load Temperature Rise °C
PSB4MK-24-06	7.6	10
PSB4MK-24-13	8.9	11.3
PSB4MK-24-25	16.4	18.2



BENC4 Environmental Enclosure Dimensions

All units mm [inch]



Construction

Molded reinforced thermoplastic polyester housing with polycarbonate cover

Parts List

The following accessory components are included with the PSB4MK Series Power Supply.

- 1/2 in NPT cable glands (Qty. 2)
- 35 × 70 mm Din rail (Qty. 1)
- 1/4-20 × 0.75 slotted stainless steel screws (Qty. 4)
- O-ring seal (Qty. 1)
- 8-15 × 5/16 Phillips plated screws (Qty. 2)