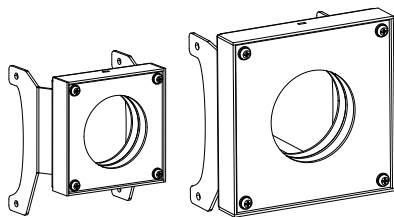


LED..R..W Series Ring Lights



Datasheet

LED Ring Lights (in two sizes) for use with PresencePLUS® Pro, Proll, and Mini Pro sensors



- Low-cost ring lights for PresencePLUS® Pro, Proll, and Mini Pro sensors
- Solid-state LED matrix; select continuous or strobed operation via sensor software
- Direct connection to a PresencePLUS® Pro, Proll, and Mini Pro sensor, or to an external power supply using 3 discrete wires
- Mounts directly to a PresencePLUS® Pro, Proll, and Mini Pro sensor using the included hardware



Important: Lea el siguiente instructivo antes de operar el luminario. Por favor descargue desde www.bannerengineering.com toda la documentación técnica de los LED..R..W Series Ring Lights, disponibles en múltiples idiomas, para detalles del uso adecuado, aplicaciones, advertencias, y las instrucciones de instalación de estos dispositivos.

Models

PresencePLUS Pro and Proll Sensor Models					
Model ¹		Color	Ambient Light Filter Kit	Polarizing Filter Kit	
62 × 62 mm	80 × 80 mm			62 × 62 mm	80 × 80 mm
LEDIR62X62W	LEDIR80X80W	Infrared, 940 nm	FLTI	—	—
LEDRR62X62W	LEDRR80X80W	Visible Red, 630 nm	FLTR (included with LEDRRPFK)	LEDRRPFKS	LEDRRPFK
LEDWR62X62W	LEDWR80X80W	White, All Visible	FLTB or FLTG		
LEDBR62X62W	LEDBR80X80W	Blue, 464 to 475 nm	FLTB		
LEDGR62X62W	LEDGR80X80W	Green, 520 to 540 nm	FLTG		

PresencePLUS Mini Pro Sensor Models				
Models ¹	Color	Ambient Light Filter Kit	Polarizing Filter Kit	
62 × 62 mm			62 × 62 mm	80 × 80 mm
LEDIRM62X62W	Infrared, 940 nm	FLTI	—	—
LEDRRM62X62W	Visible Red, 630 nm	FLTR (included with LEDRRPFK)	LEDRRPFKS	LEDRRPFK
LEDWRM62X62W	White, All Visible	FLTB or FLTG		
LEDBRM62X62W	Blue, 464 to 475 nm	FLTB		
LEDGRM62X62W	Green, 520 to 540 nm	FLTG		

Installing the Ring Light

The ring light bracket attaches to the top of the PresencePLUS lens block, using the hardware kit provided.



Note: Before installing this light it is recommended that an ambient light filter be installed behind the lens. The filter improves image quality by reducing unwanted ambient light.

Wiring Table

Light Wire	PresencePLUS Pro Controller Terminal Block	External Power Supply (Strobed)	External Power Supply (Continuous)
Brown	Pin 1 (+V ²)	+V	+V
Blue	Pin 2 (-V ²)	-V	-V
White	Pin 4 (strobe)	+5V DC to +24V DC OFF	-V
		-V ON	

¹ For 9 m (30 ft) integral cable, add suffix "W/30" to the model number (for example, LEDIR80X80W W/30).

² +V = 24V DC ± 10%; -V = DC common



Sensing Shiny Surfaces

To eliminate direct reflections without using polarizing filters, angle the sensor approximately 15° (or more) from perpendicular to a shiny surface.

Polarizing Kit

If it is necessary to mount the camera at a 90° angle to a shiny surface, the polarizing filter kit provides filters for both the LED ring light and sensor to reduce the negative effects of strong, direct light reflections. The red filter kit (FLTR) is included with the polarizing kit. When light colors other than red are used, discard the red filter in the polarizing kit and use the proper filter (see Models tables). The polarizing filters reduce the amount of light returned to the sensor.

Clean the Light

Regularly remove dust, dirt, or fingerprints from the light source.

1. Blow off dust using anti-static compressed air.
2. If necessary, use a lens cloth and lens cleaner or window cleaner to wipe off remaining debris.



Important: Do not use any other chemicals for cleaning the light source.

Specifications

Supply Voltage and Current

62 x 62 Models: Infrared — 24 V DC at 100 mA max.

80 x 80 Models: 24 V DC at 250 mA max.

All other colors — 24 V DC at 130 mA max.

See the electrical characteristics on the product label.

Connections

PVC-jacketed 3-conductor 2 m (6.5 ft) or 9 m (30 ft) attached cable

Construction

Low-carbon steel with black zinc plating, acrylic window

Light Source

LED, see Models table for wavelengths

Illumination

High-intensity ring light

Useful Life

10,000 hours (LED ON time). When operated within specifications, output will decrease less than 30% after 10,000 hours and less than 50% (less than 40% for red and IR models) after 20,000 hours.

Operating Conditions

0 °C to +50 °C (+32 °F to +122 °F)

90% at +50 °C maximum relative humidity (non-condensing)

Certifications



Dimensions

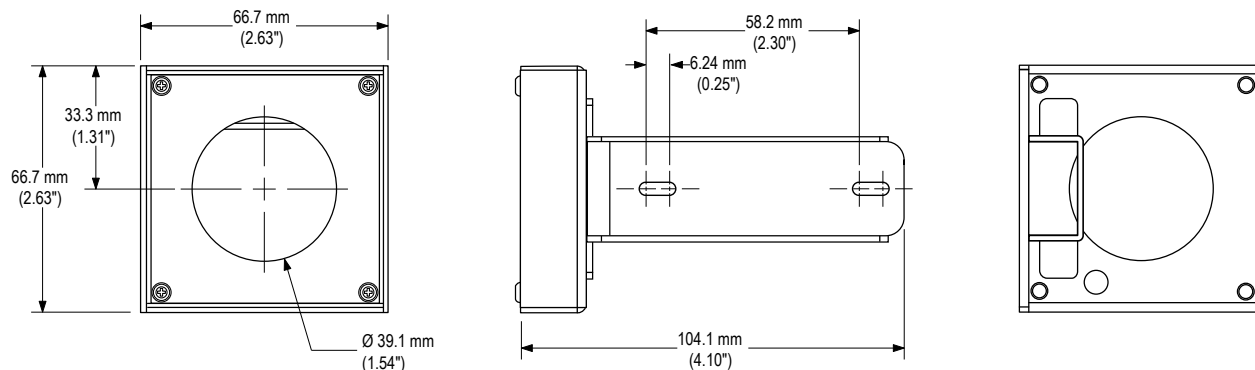


Figure 1. 62 x 62 mm Models for PresencePLUS Pro and ProII Sensor Models

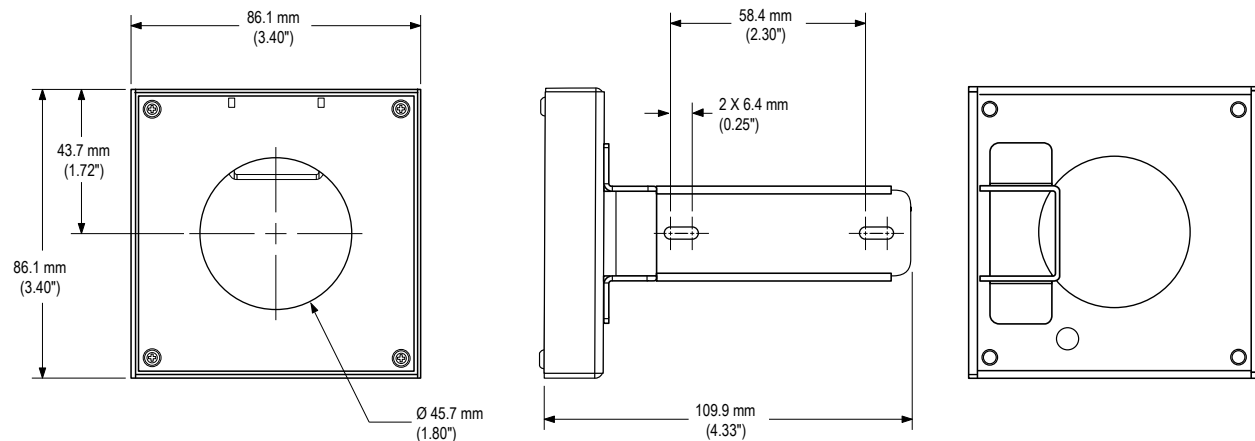


Figure 2. 80 x 80 mm Models for PresencePLUS Pro and ProII Sensor Models

Dimensions

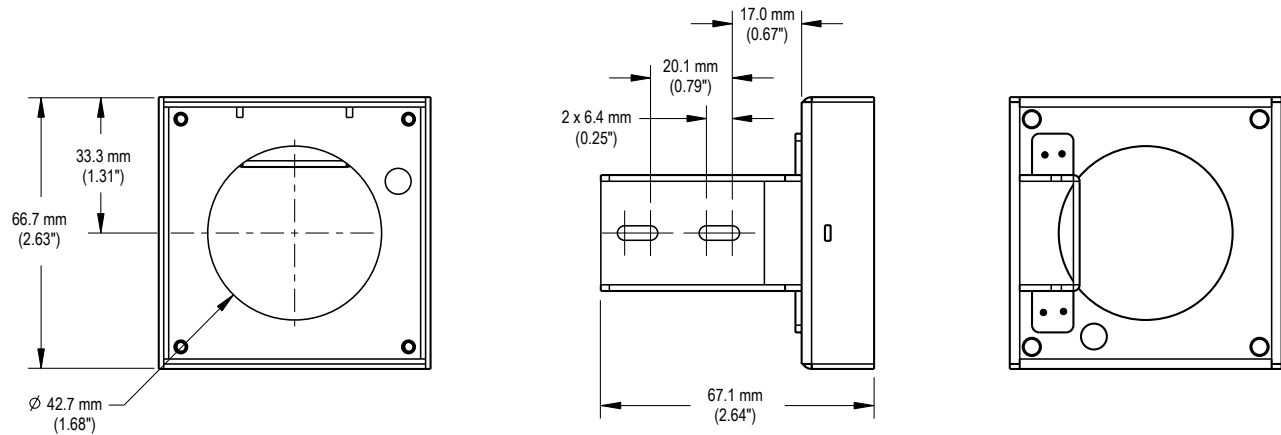


Figure 3. 62 x 62 mm Models for PresencePLUS Mini Pro Sensor Models

Banner Engineering Corp. Limited Warranty

Banner Engineering Corp. warrants its products to be free from defects in material and workmanship for one year following the date of shipment. Banner Engineering Corp. will repair or replace, free of charge, any product of its manufacture which, at the time it is returned to the factory, is found to have been defective during the warranty period. This warranty does not cover damage or liability for misuse, abuse, or the improper application or installation of the Banner product.

THIS LIMITED WARRANTY IS EXCLUSIVE AND IN LIEU OF ALL OTHER WARRANTIES WHETHER EXPRESS OR IMPLIED (INCLUDING, WITHOUT LIMITATION, ANY WARRANTY OF MERCHANTABILITY OR FITNESS FOR A PARTICULAR PURPOSE), AND WHETHER ARISING UNDER COURSE OF PERFORMANCE, COURSE OF DEALING OR TRADE USAGE.

This Warranty is exclusive and limited to repair or, at the discretion of Banner Engineering Corp., replacement. **IN NO EVENT SHALL BANNER ENGINEERING CORP. BE LIABLE TO BUYER OR ANY OTHER PERSON OR ENTITY FOR ANY EXTRA COSTS, EXPENSES, LOSSES, LOSS OF PROFITS, OR ANY INCIDENTAL, CONSEQUENTIAL OR SPECIAL DAMAGES RESULTING FROM ANY PRODUCT DEFECT OR FROM THE USE OR INABILITY TO USE THE PRODUCT, WHETHER ARISING IN CONTRACT OR WARRANTY, STATUTE, TORT, STRICT LIABILITY, NEGLIGENCE, OR OTHERWISE.**

Banner Engineering Corp. reserves the right to change, modify or improve the design of the product without assuming any obligations or liabilities relating to any product previously manufactured by Banner Engineering Corp. Any misuse, abuse, or improper application or installation of this product or use of the product for personal protection applications when the product is identified as not intended for such purposes will void the product warranty. Any modifications to this product without prior express approval by Banner Engineering Corp will void the product warranties. All specifications published in this document are subject to change; Banner reserves the right to modify product specifications or update documentation at any time. Specifications and product information in English supersede that which is provided in any other language. For the most recent version of any documentation, refer to: www.bannerengineering.com.

For patent information, see www.bannerengineering.com/patents.

Mexican Importer

Banner Engineering de México, S. de R.L. de C.V.
David Alfaro Siqueiros 103 Piso 2 Valle oriente
San Pedro Garza Garcia Nuevo León, C. P. 66269

81 8363.2714