

K100 Pro Hazardous Beacon

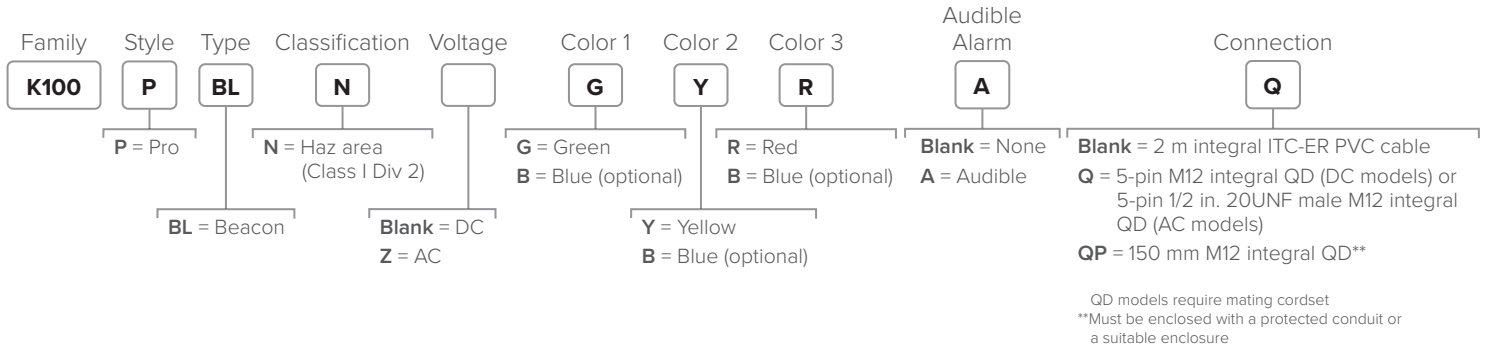


Programmable Multicolor Beacon for Potentially Explosive Environments

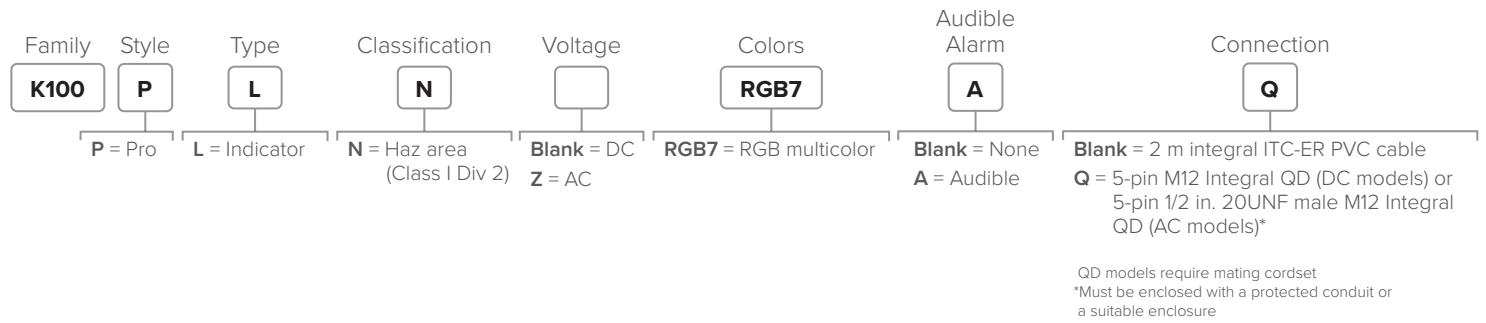
- Rated CID2, CIID2, CIID1, CIID2, and cULus for use in settings in which flammable gases, vapors, mists, or dust are present
- Years of uninterrupted operation with a rugged UV-stabilized polycarbonate base and window
- Daylight Visible models provide bright indication, even in direct sunlight
- Multiple colors in one device
- Programmable using Banner's Pro Editor software and Pro Converter Cable (DC models)

BANNER[®]
more sensors, more solutions

K100 Pro Hazardous Daylight Visible Beacon



K100 Pro Hazardous Indicator Beacon



Specifications



Supply Voltage

12 to 48 V DC
100 to 240 V AC, 50 Hz to 60 Hz

Operating Conditions

-40 to +60 °C

Construction

Polycarbonate

Environmental Rating

IP66, IP69K per DIN 40050-9, UL Type 4X

Certifications

NEC and CEC (cULus):

Gas and Vapors: Class I Div 2 Groups ABCD T4
Dust and Fibers/flyings: Class II Div 2 Groups FG T6;
Class III Div 1 and Div 2 T6



Accessories

Mounting Brackets



LMB36RA

Cordsets

5-Pin M12 for DC Models

Straight connector models listed; for right-angle models, add RA to the end of model number (example, MQDC1-506RA)



MQDC1-506
2 m (6.5')
MQDC1-515
5 m (15')
MQDC1-530
9 m (30')

5-Pin 1/2 in. Dual Key for AC Models

Straight connector models listed



MQAC2-506
2 m (6.5')
MQAC2-515
5 m (15')
MQAC2-530
9 m (30')

Pro Editor Accessories



MQDC-506-USB

Pro Converter Cable
CSB-M1251FM1251M

Splitter

PSW-24-1

Power Supply

ACC-PRO-CABLE5

Mating accessory for cabled and terminal models



Banner Engineering Corp.

9714 10th Avenue North • Minneapolis, MN 55441 • 1-888-373-6767 • www.bannerengineering.com