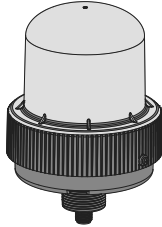


# K100 Basic Daylight Visible Beacon - DC Datasheet

## Features

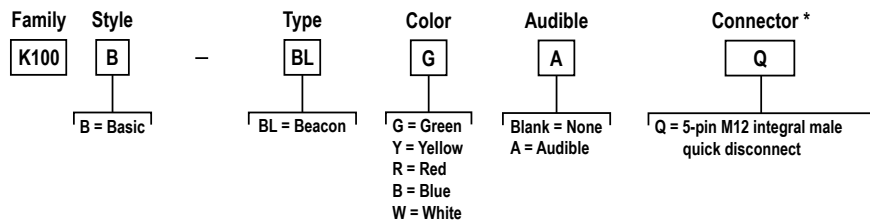
High Daylight Visibility, Single Color Beacon with Optional Audible Alarm for Indoor and Outdoor Use



- Highly visible indicator provides bright, even light in direct sunlight
- Five color choices available
- 36 mm threaded polycarbonate base
- Rugged IP66, UL Type 4X housing
- PNP or NPN operation depending on wiring
- Rugged UV-stabilized polycarbonate base and window
- 12 V DC to 48 V DC operating voltage

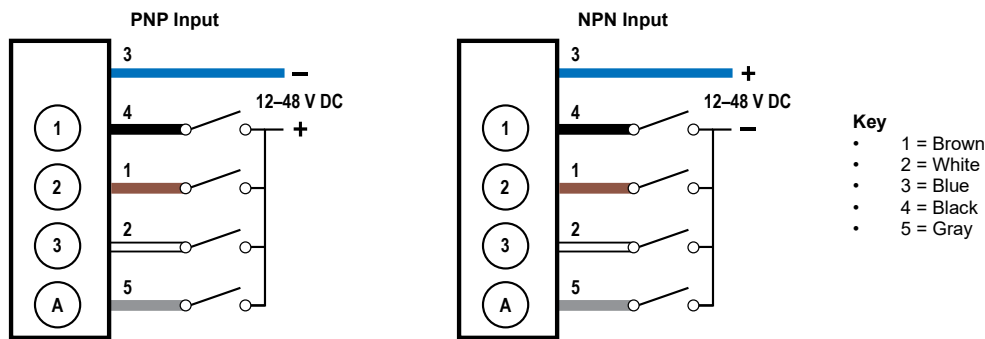
## Models

Standard models shown. Contact factory for other options.



\* Models with a quick disconnect require a mating cordset

## Wiring Diagrams



An "X" denotes an active input.

For example: When Input 1 and Input 3 are both active, the indicator will be Flashing at 5 Hz.

**Table 1: Default Configuration (Sheet 1 of 2)**

Wiring				Operating Mode/Function	
Black (Input 1)	Brown (Input 2)	White (Input 3)	Gray (Input 4)	Non-Audible	Audible
X				Flashing at 1 Hz	Flashing at 1 Hz
	X			Steady	Steady
		X		Intensity Sweep	Intensity Sweep
X		X		Flashing at 5 Hz	Flashing at 5 Hz
X	X			Flashing at 0.5 Hz	Flashing at 0.5 Hz
	X	X		Strobe	Strobe
X	X	X		3-pulse Strobe	3-pulse Strobe
			X	Off	Audible Continuous
X			X	Flashing at 1 Hz	Flashing at 1 Hz, Audible Continuous

Table 1: Default Configuration (Continued) (Sheet 2 of 2)

Wiring				Operating Mode/Function	
Black (Input 1)	Brown (Input 2)	White (Input 3)	Gray (Input 4)	Non-Audible	Audible
	X		X	Steady	Steady, Audible Continuous
		X	X	Intensity Sweep	Intensity Sweep, Audible Continuous
X		X	X	Flashing at 5 Hz	Flashing at 5 Hz, Audible Continuous
X	X		X	Flashing at 0.5 Hz	Flashing at 0.5 Hz, Audible Continuous
	X	X	X	Strobe	Strobe, Audible Continuous
X	X	X	X	3-pulse Strobe	3-pulse Strobe, Audible Continuous

## Specifications

### Supply Protection Circuitry

Protected against reverse polarity and transient voltages

### Leakage Current Immunity

600 µA

### Indicator Response Time

On response: 600 ms (max)

Off response: 50 ms (max)

### Connections

Integral 5-pin M12 male quick-disconnect connector, 150 mm (6 in) PVC-jacketed cable with an M12 quick disconnect, or 2 m (6.5 ft) integral PVC-jacketed cable, depending on model

Models with a quick disconnect require a mating cordset

### Mounting

M36 by 2.0 threaded base, maximum torque 5.0 N·m (44 inch-lbf)

Interior 3/4-14 NPT Thread

Mounting nut included

### Adjacent Unit Mounting Separation Distance

Minimum: 0 in (mounted with unit flanges touching)

### Audible Characteristics

Sound Intensity: 101 dB, 2.5 KHz, at 1 m (typical)

### Supply Voltage and Current

12 V DC to 48 V DC

Product approved with usage of Class 1 or Class 3 Power Supply to achieve Class 2 Power Supply status

Use only with a suitable Class 2 power supply (North America)

Current:

Voltage (V DC)	Steady On, Flash, or Strobe	
	Light Only (mA)	Light & Audible (mA)
12	230	270
18	160	200
24	130	170
30	110	150
36	100	140
42	90	130
48	85	125

### Default Indicator Characteristics

At 12 V DC

Color	Dominant Wavelength (nm) or Color Temperature (CCT)	Color Coordinates <sup>a</sup>		Lumen Output (Typical at 25 °C)
		x	y	
Green	528 nm	0.1603	0.6973	200
Yellow	589 nm	0.5557	0.4276	200
Red	625 nm	0.6999	0.2982	93
Blue	475 nm	0.1167	0.1121	60
White	5500K ± 250	0.3320	0.3433	240

a. Refer to CIE 1931 chromaticity diagram or color chart, to show equivalent color with indicated color coordinates.

Internal temperature compensation circuitry: Reduces the Lumen Output to decrease the unit internal operating temperature. The amount of reduction is dependent on the ambient operating temperature, supply voltage, color, and/or audible functions being utilized.

**Required Overcurrent Protection**

**WARNING:** Electrical connections must be made by qualified personnel in accordance with local and national electrical codes and regulations.

Overcurrent protection is required to be provided by end product application per the supplied table.  
 Overcurrent protection may be provided with external fusing or via Current Limiting, Class 2 Power Supply.  
 Supply wiring leads < 24 AWG shall not be spliced.  
 For additional product support, go to [www.bannerengineering.com](http://www.bannerengineering.com).

Supply Wiring (AWG)	Required Overcurrent Protection (A)	Supply Wiring (AWG)	Required Overcurrent Protection (A)
20	5.0	26	1.0
22	3.0	28	0.8
24	1.0	30	0.5

**Certifications**



**Banner Engineering BV**  
 Park Lane, Culliganlaan 2F bus 3,  
 1831 Diegem, BELGIUM



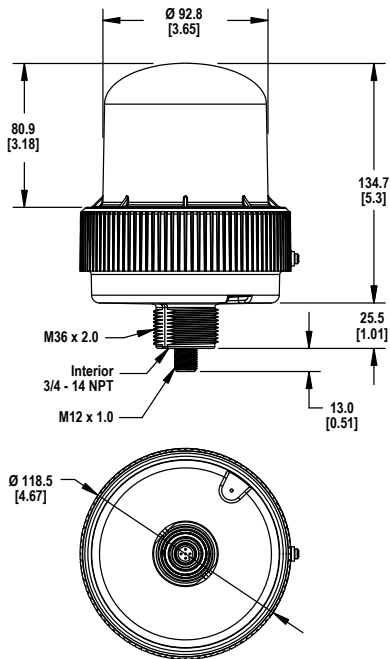
**Turck Banner LTD**  
 Blenheim House,  
 Blenheim Court, Wickford,  
 Essex SS11 8YT, Great  
 Britain



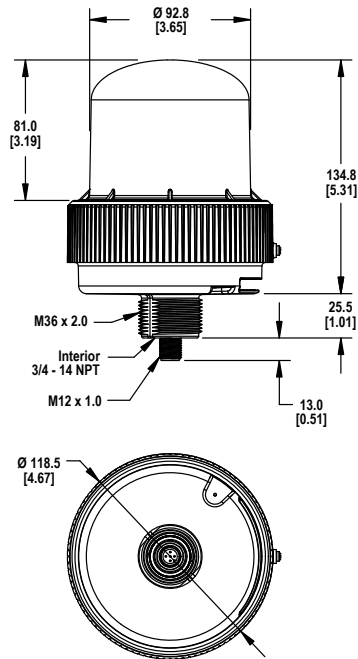
**UL LISTED**

**Dimensions**

All measurements are listed in millimeters [inches], unless noted otherwise.



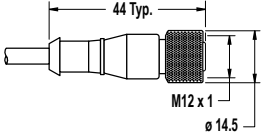
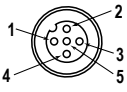
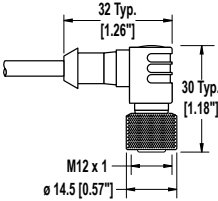
**Figure 1: Standard Models**



**Figure 2: Audible Models**

Accessories

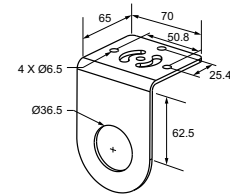
Cordsets

5-Pin Threaded M12 Cordsets—Single Ended				
Model	Length	Style	Dimensions	Pinout (Female)
MQDC1-501.5	0.5 m (1.5 ft)	Straight		 <p>1 = Brown 2 = White 3 = Blue 4 = Black 5 = Gray</p>
MQDC1-503	0.9 m (2.9 ft)			
MQDC1-506	2 m (6.5 ft)			
MQDC1-515	5 m (16.4 ft)			
MQDC1-530	9 m (29.5 ft)			
MQDC1-560	18 m (59 ft)			
MQDC1-5100	31 m (101.7 ft)			
MQDC1-506RA	2 m (6.5 ft)	Right-Angle		
MQDC1-515RA	5 m (16.4 ft)			
MQDC1-530RA	9 m (29.5 ft)			
MQDC1-560RA	19 m (62.3 ft)			




Brackets

LMB36RA

- Indicator light right-angle mounting
- 36 mm mounting hole
- Stainless steel



Elevated Mount System

Model			Features	Components
Black Anodized Aluminum ¼ in. NPT	Black Anodized Aluminum ½ in. NPT	Clear Anodized Aluminum ½ in. NPT		
SOP-E34-150A 150 mm (6 in) long	SOP-E12-150A 150 mm (6 in) long	SOP-E12-150AC 150 mm (6 in) long	<ul style="list-style-type: none"> <li>• Elevated-use stand-off pipe</li> <li>• Black anodized aluminum or clear anodized aluminum surface</li> <li>• Threaded at both ends</li> <li>• Compatible with most industrial environments</li> </ul>	
SOP-E34-300A 300 mm (12 in) long	SOP-E12-300A 300 mm (12 in) long	SOP-E12-300AC 300 mm (12 in) long		
SOP-E34-600A 600 mm (24 in) long	SOP-E12-600A 600 mm (24 in) long	—		
SOP-E34-900A 900 mm (36 in) long	SOP-E12-900A 900 mm (36 in) long	SOP-E12-900AC 900 mm (36 in) long		
SA-M36E12			<ul style="list-style-type: none"> <li>• Adapter from M36 thread to 12-14 NPSM thread</li> <li>• Streamlined black plastic mounting base adapter/cover</li> <li>• Drilled hole</li> </ul>	
SA-M36SOP			<ul style="list-style-type: none"> <li>• M36 thread adapter with clearance for ¼ pipe mount</li> <li>• Streamlined black plastic mounting base adapter/cover</li> <li>• Drilled hole</li> </ul>	

Pipe Mounting Flange

Model	Features	Construction	
SA-F12	<ul style="list-style-type: none"> <li>Elevated-use stand-off pipes (½ in, NPSM/DN15)</li> <li>M5 mounting hardware and nitrile gasket included</li> </ul>	Die-cast zinc base with black paint	

### Banner Engineering Corp Limited Warranty

Banner Engineering Corp. warrants its products to be free from defects in material and workmanship for one year following the date of shipment. Banner Engineering Corp. will repair or replace, free of charge, any product of its manufacture which, at the time it is returned to the factory, is found to have been defective during the warranty period. This warranty does not cover damage or liability for misuse, abuse, or the improper application or installation of the Banner product.

**THIS LIMITED WARRANTY IS EXCLUSIVE AND IN LIEU OF ALL OTHER WARRANTIES WHETHER EXPRESS OR IMPLIED (INCLUDING, WITHOUT LIMITATION, ANY WARRANTY OF MERCHANTABILITY OR FITNESS FOR A PARTICULAR PURPOSE), AND WHETHER ARISING UNDER COURSE OF PERFORMANCE, COURSE OF DEALING OR TRADE USAGE.**

This Warranty is exclusive and limited to repair or, at the discretion of Banner Engineering Corp., replacement. **IN NO EVENT SHALL BANNER ENGINEERING CORP. BE LIABLE TO BUYER OR ANY OTHER PERSON OR ENTITY FOR ANY EXTRA COSTS, EXPENSES, LOSSES, LOSS OF PROFITS, OR ANY INCIDENTAL, CONSEQUENTIAL OR SPECIAL DAMAGES RESULTING FROM ANY PRODUCT DEFECT OR FROM THE USE OR INABILITY TO USE THE PRODUCT, WHETHER ARISING IN CONTRACT OR WARRANTY, STATUTE, TORT, STRICT LIABILITY, NEGLIGENCE, OR OTHERWISE.**

Banner Engineering Corp. reserves the right to change, modify or improve the design of the product without assuming any obligations or liabilities relating to any product previously manufactured by Banner Engineering Corp. Any misuse, abuse, or improper application or installation of this product or use of the product for personal protection applications when the product is identified as not intended for such purposes will void the product warranty. Any modifications to this product without prior express approval by Banner Engineering Corp will void the product warranties. All specifications published in this document are subject to change; Banner reserves the right to modify product specifications or update documentation at any time. Specifications and product information in English supersede that which is provided in any other language. For the most recent version of any documentation, refer to: [www.bannerengineering.com](http://www.bannerengineering.com).

For patent information, see [www.bannerengineering.com/patents](http://www.bannerengineering.com/patents).

Document title: K100 Basic Daylight Visible Beacon - DC Datasheet  
 Part number: 231996  
 Revision: A  
 Original Instructions  
 © Banner Engineering Corp. All rights reserved.

