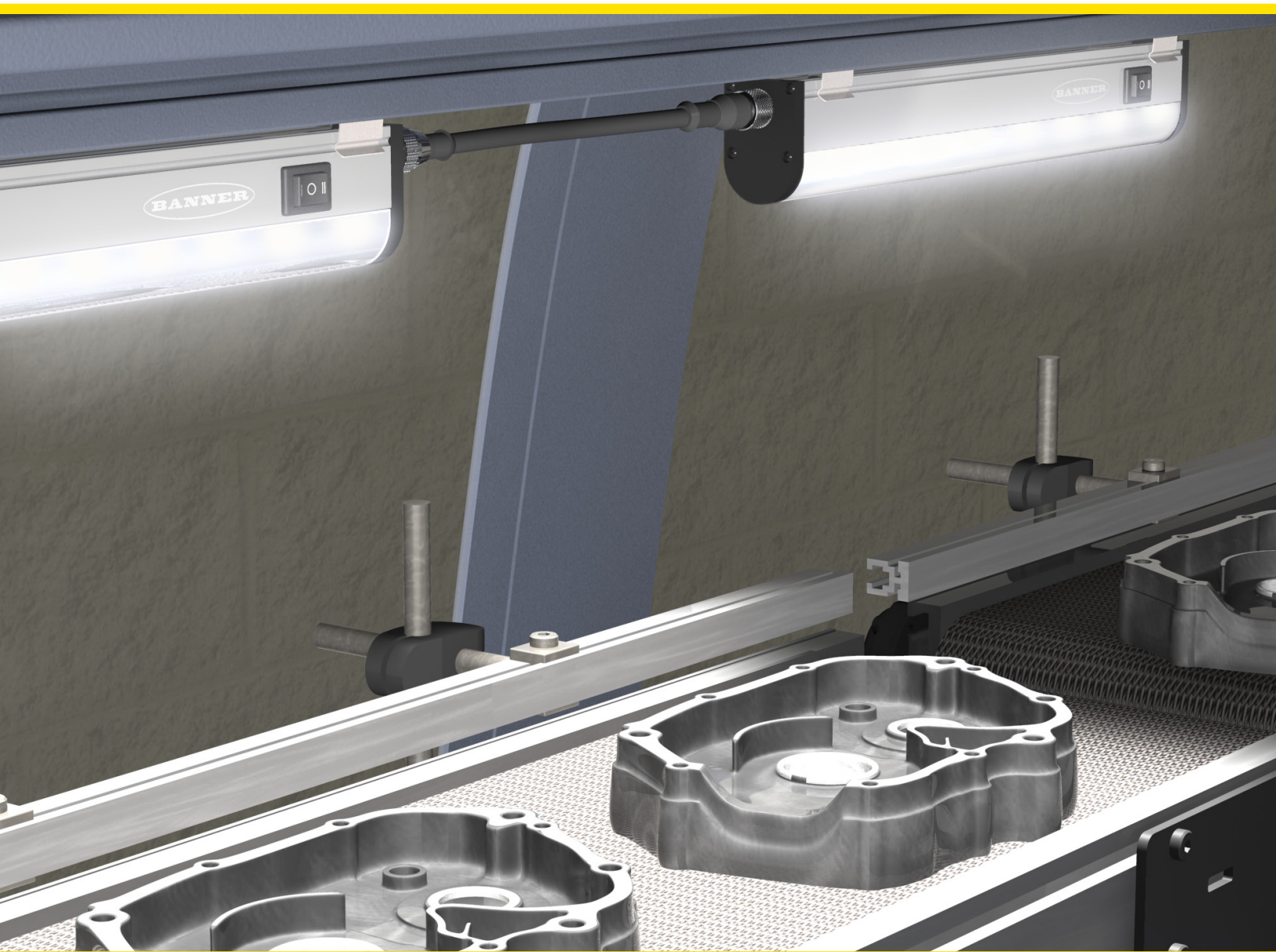


WLB32



Industrial Light Bar

- Advanced LED lighting technology providing high-quality and maintenance-free industrial lighting solutions that will last for years.
- High brightness with an even light output for a no-glare glow
- Robust metal housing, shatterproof light cover and easy installation
- Ideal for work stations, machine lighting, control cabinets and manufacturing lines

Easy Installation. Superior Light. Long Lasting.

The WLB32 is a bright LED fixture that features an even light output to eliminate glare.



- Energy efficient for overall cost savings Metal housing, shatterproof window
- Easy installation with snap clips, or a choice of magnetic or swivel brackets



- Available in AC or DC models
- Available in 285 mm, 570 mm, 850 mm or 1130 mm lengths



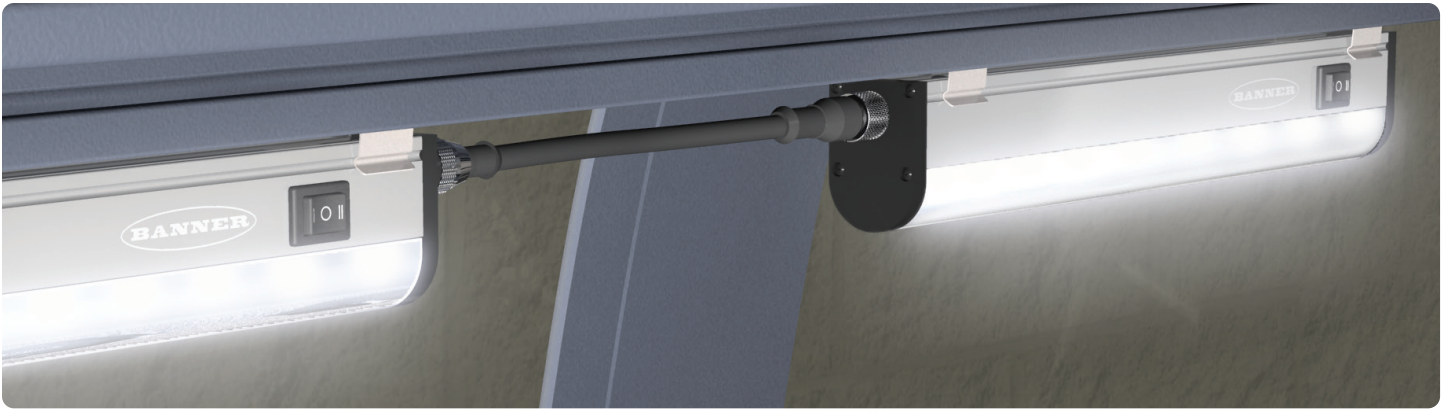
- High/Low/Off switch allows users to customize light levels



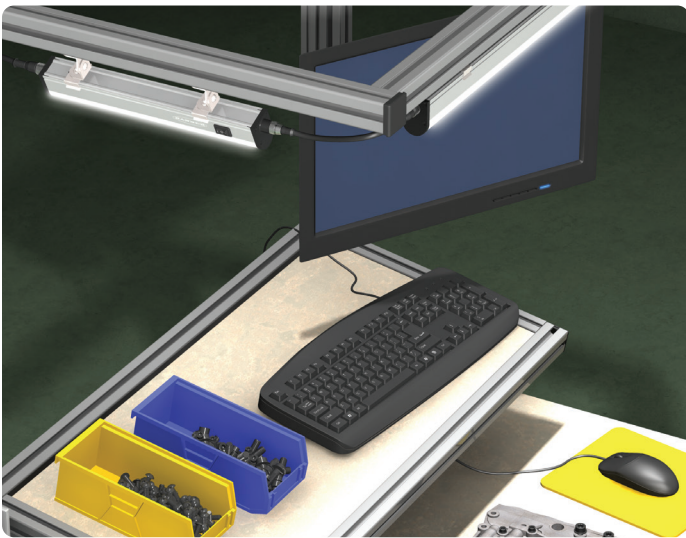
- Motion detection models are ideal for locations that cannot use a physical switch or where the placement of the switch is not useful



- Models featuring an eye shield block line of sight to the domed window to increase eye comfort



Available as cascaded models for a continuous length of lighting, with minimal wiring



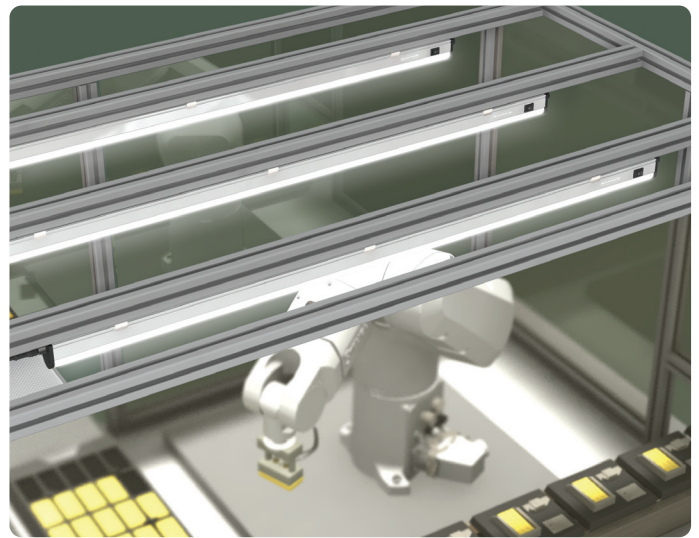
High-Quality LED Lighting for Workstations

Challenge

Lighting only needs to be used when workers are present.

Solution

Operators need highly bright illumination in workstations to accurately and efficiently complete tasks. For workstations that need multiple lights, having an LED light with a switch that allows operators to adjust the lighting level as well as turn lights off when finished helps reduce overall energy costs. The motion detector models can automate this function.



Robotic Cell Illumination

Challenge

Large environment with high risk of impact.

Solution

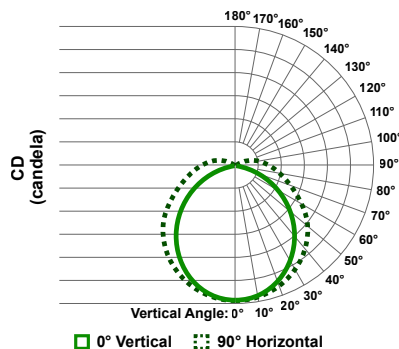
Rugged and very bright LED illumination with the WLB32 Industrial Light Bar. Many factors come into play when choosing the correct light source for a robotic cell. Light source placement, brightness and application must all be considered before choosing the correct system to properly illuminate a robotic cell.

Advanced Illumination Data

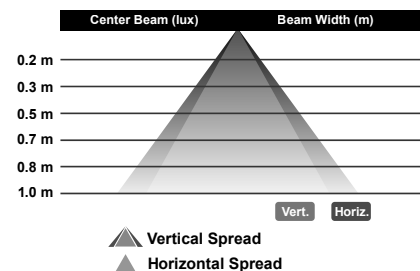
- Photometric data (IES files)
- Candela charts
- Lumen and Lux data

Available on www.bannerengineering.com

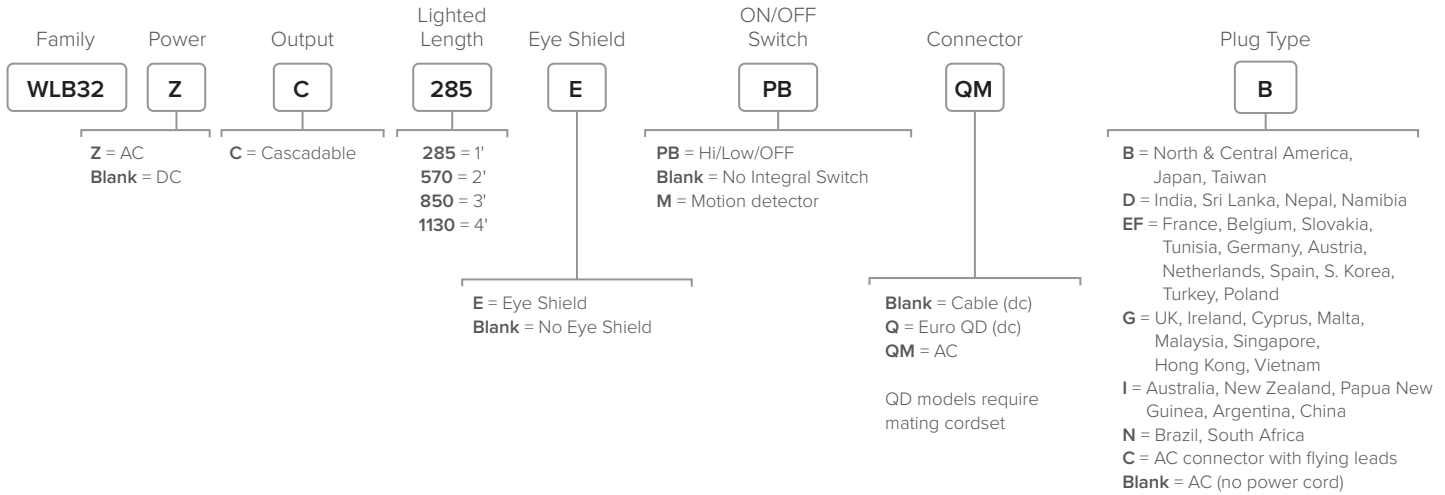
Polar Candela Distribution



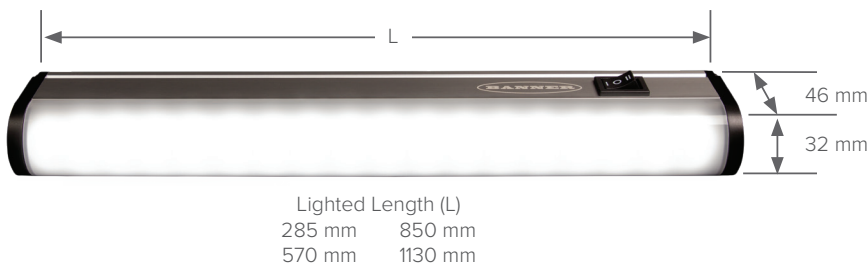
Illuminance at a Distance



WLB32 Industrial Light Bar



Specifications



Lighted Length (L)	
285 mm	850 mm
570 mm	1130 mm

Lighted Length (mm)	Lumens (Typical @ 25 °C) Daylight White	Typical Wattage* (Watts)	
		AC Models	DC Models
285	750	9	7.4
570	1500	18	14.8
850	2250	27	22.2
1130	3000	36	29.6

* Typical operating wattage is measured at 120 V ac or 24 V dc, depending on model

Operating Voltage	12 to 30 V dc (dc models) 90 to 264 V ac (ac models)
Lumen Output	= 750/ft
LED Lifetime (L70)	50,000 hours
Color Temperature (CCT)	Daylight White — 5000 k
Switch	High = 100% intensity Low = 50% intensity
Environmental Rating	IP50 — Dry location only
Certifications	

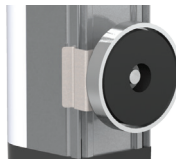
Accessories



LMBWLB32



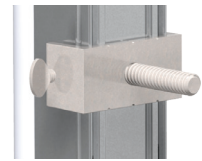
LMBWLB32-180S



LMBWLB32MAG



LMBWLB32U



LMBWLB32UT

AC Cascade Cordsets*

Type	Length	Model
Double-Ended Cascading Cordset Male straight/ Male straight connectors	0.15 m (0.5')	LQMAEC-3005SS
	0.31 m (1.0')	LQMAEC-301SS
	0.91 m (3.0')	LQMAEC-303SS
	1.83 m (6.0')	LQMAEC-306SS
	3.66 m (12.0')	LQMAEC-312SS
	6.10 m (20.0')	LQMAEC-320SS
	9.14 m (30.0')	LQMAEC-330SS

AC Power Cordsets*

Type	Model	Description
Power Cordset 1.8 m (6')	LQMAC-306	Flying Leads
	LQMAC-306B	North & Central America, Japan, Taiwan
	LQMAC-306D	India, Sri Lanka, Nepal, Namibia
	LQMAC-306EF	France, Belgium, Slovakia, Tunisia, Germany, Austria, Netherlands, Spain, S. Korea
	LQMAC-306G	UK, Ireland, Cyprus, Malta, Malaysia, Singapore, Hong Kong, Vietnam
	LQMAC-306I	Australia, New Zealand, Papua New Guinea, Argentina, China
	LQMAC-306N	Brazil

*DC cascade and power cordsets, and additional accessories are available on www.bannerengineering.com



Banner Engineering Corp.

9714 10th Avenue North • Minneapolis, MN 55441 • 1-888-373-6767 • www.bannerengineering.com

© 2021 Banner Engineering Corp. Minneapolis, MN USA

PN 177694 rev. D