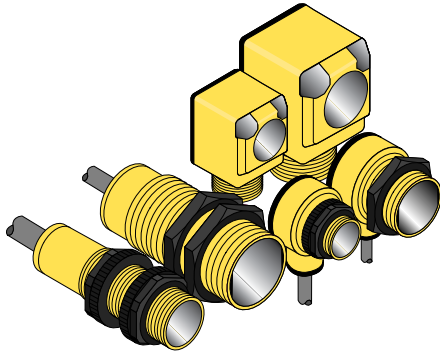


Datasheet

Designed for use on Sensor BUS Networks



- Low cost and easy to use; no adjustments are necessary
- Sensor selection is simply a matter of choosing a housing style and sensing mode
- Models available for opposed (through-beam), polarized retroreflective, and fixed-field diffuse modes
- Advanced self-diagnostics with separate alarm output; dual LED system indicates sensor performance
- Solid-state outputs for direct connection to a BUS system network junction such as a Banner BUS DEPOT®
- 4-pin quick disconnect connector for standard Euro-style extension cables
- Epoxy-encapsulated circuitry; leakproof IEC IP67 (NEMA 6P) rating for harsh sensing environments
- Brackets available for several mounting options



WARNING:

- **Do not use this device for personnel protection**
- Using this device for personnel protection could result in serious injury or death.
- This device does not include the self-checking redundant circuitry necessary to allow its use in personnel safety applications. A device failure or malfunction can cause either an energized (on) or de-energized (off) output condition.

Overview

S2 Series EZ-BEAM sensors are designed to connect directly to a smart BUS system network junction, such as the Banner BUS-DEPOT®. S2 Series sensors are internally wired to take advantage of the EZ-BEAM's marginal signal ALARM output. The ALARM output is normally open (N.O.) and conducts whenever the sensor's excess gain drops to between 1X and 1.5X in the light condition. The sensing signal output is also normally open, which means that the output conducts when light is sensed (in essence - light operate).

In order to take advantage of the second ALARM output, S2 sensors require the use of BUS DEPOT junctions which offer two channels per input. Both sensor outputs are PNP (current sourcing) for direct connection to a BUS network junction using standard 4-pin euro-style extension cables.

S2 Series sensors offer all of the features and powerful sensing performance that EZ-BEAMs offer. The innovative dual-indicator system takes the guesswork out of sensor performance monitoring. Housings are tightly sealed and the sensor circuitry is epoxy-encapsulated for reliable duty in wet or oily sensing environments. Models are available for opposed (through-beam), polarized retroreflective and fixed-field diffuse sensing (see [Product Families](#) on p. 1).

There are three basic housing styles. The S-style is a threaded barrel which is available in 18 mm or 30 mm diameters. The Q-style offers either 25 mm or 40 mm right-angle rectangular housings. Finally, the T-style is a patented¹ right-angle design available with either an 18 mm or 30 mm threaded lens. The T-style combines the mounting ease of a barrel sensor with the low-profile advantage of a right-angle design.

Several mounting options are available, including angled brackets and split-clamp brackets. S2 series sensors may also be mounted through suitable clearance holes. See [Brackets](#) on p. 7 for more information.

Product Families

Family	Sensor Package	Available Sensing Modes and Ranges		
		Opposed	Retroreflective	Fixed-Field
S18	18 mm barrel	20 m (60 ft)	2 m (79 in)	50 mm (2 in) 100 mm (4 in)
S30	30 mm barrel	60 m (200 ft)	6 m (20 ft)	200 mm (8 in) 400 mm (16 in)

¹ U.S. Patent #5087838



Family	Sensor Package	Available Sensing Modes and Ranges		
		Opposed	Retroreflective	Fixed-Field
Q25	25 mm rectangular	20 m (60 ft)	2 m (79 in)	50 mm (2 in) 100 mm (4 in)
Q40	40 mm rectangular	60 m (200 ft)	6 m (20 ft)	200 mm (8 in) 400 mm (16 in)
T18	18 mm right-angle	20 m (60 ft)	2 m (79 in)	50 mm (2 in) 100 mm (4 in)
T30	30 mm right-angle	60 m (200 ft)	6 m (20 ft)	200 mm (8 in) 400 mm (16 in)

Models

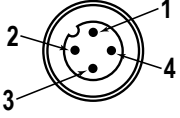
Opposed Mode Emitter (E) and Receiver (R)				
Models	Range	Cable	Supply Voltage	Output Type
S186EQ	20 m (66 ft)	Integral 4-pin M12/Euro-style male quick disconnect	10 V DC to 30 V DC	PNP
S18S2P6RQ				
Q256EQ				
Q25S2P6RQ				
T186EQ				
T18S2P6RQ				
S306EQ	60 m (200 ft)			
S30S2P6RQ				
Q406EQ				
Q40S2P6RQ				
T306EQ				
T30S2P6RQ				

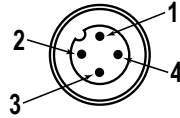
Retroreflective Mode				
Models	Range	Cable	Supply Voltage	Output Type
S18S2P6LPQ	2 m (79 in)	Integral 4-pin M12/Euro-style male quick disconnect	10 V DC to 30 V DC	PNP
Q25S2P6LPQ				
T18S2P6LPQ				
S30S2P6LPQ	6 m (20 ft)			
Q40S2P6LPQ				
T30S2P6LPQ				

Fixed-Field Mode				
Models	Range	Cable	Supply Voltage	Output Type
S18S2P6FF50Q	50 mm (2 in)	Integral 4-pin M12/Euro-style male quick disconnect	10 V DC to 30 V DC	PNP
Q25S2P6FF50Q				
T18S2P6FF50Q				
S18S2P6FF100Q	100 mm (4 in)			
Q25S2P6FF100Q				
T18S2P6FF100Q				
S30S2P6FF200Q	200 mm (8 in)			
Q40S2P6FF200Q				
T30S2P6FF200Q				

Fixed-Field Mode				
Models	Range	Cable	Supply Voltage	Output Type
S30S2P6FF400Q	400 mm (16 in)			
Q40S2P6FF400Q				
T30S2P6FF400Q				

Wiring

Quick Disconnect Pin Detail			
Pinout (Male)	Pin	Color	Description
	1	Brown	10 V DC to 30 V DC
	2	White	Alarm
	3	Blue	DC common
	4	Black	Sensing output

Emitter Quick Disconnect Pin Detail			
Pinout (Male)	Pin	Color	Description
	1	Brown	10 V DC to 30 V DC
	2	White	Not used
	3	Blue	DC common
	4	Black	Not used

Specifications

Supply Voltage and Current

10 V DC to 30 V DC (10% maximum ripple)
Supply current (exclusive of current load):

Opposed Mode Emitter: 25 mA
Opposed Mode Receiver: 20 mA
Polarized Retroreflective: 30 mA
Fixed-field: 35 mA

Supply Protection Circuitry

Protected against reverse polarity and transient voltages

Output Configuration

Sensing Output: PNP, light operating
Alarm: PNP, normally open and conducts whenever the sensor's excess gain drops to between 1X and 1.5X in the light condition

Output Rating

150 mA maximum (each); the total load may not exceed 150 mA
Off-state leakage current: < 1 µA at 30 V DC
On-state saturation voltage: < 1 at 10 mA DC; < 1.5 at 150 mA DC

Output Protection Circuitry

Protected against output short-circuit, continuous overload, and false pulse on power-up

Output Response Time

Opposed: 3 milliseconds on and 1.5 milliseconds off
Polarized Retroreflective and Fixed-Field: 3 milliseconds on and off



Note: 100 millisecond delay on power-up; outputs are non-conducting during this time

Certifications



Repeatability

Opposed: 375 microseconds
Polarized Retroreflective and Fixed-Field: 750 microseconds
Repeatability and response are independent of signal strength

Indicators

Two LEDs: green and yellow

Green, glowing steadily = power to sensor is on
Green, flashing = output is overloaded
Yellow, glowing steadily = normally open output is conducting
Yellow, flashing = excess gain marginal (1-1.5x) in light condition

Construction

Housings are thermoplastic PBT polyester
Lenses are polycarbonate (opposed models) or acrylic (retro and fixed-field models) S18 and S30 come with two jam nuts
T18, T30, Q25 and Q40 come with one jam nut

Environmental Rating

Leakproof design rated NEMA 6P, IEC IP67

Connections

Integral 4-pin M12/Euro-style male quick disconnect
Cables are ordered separately

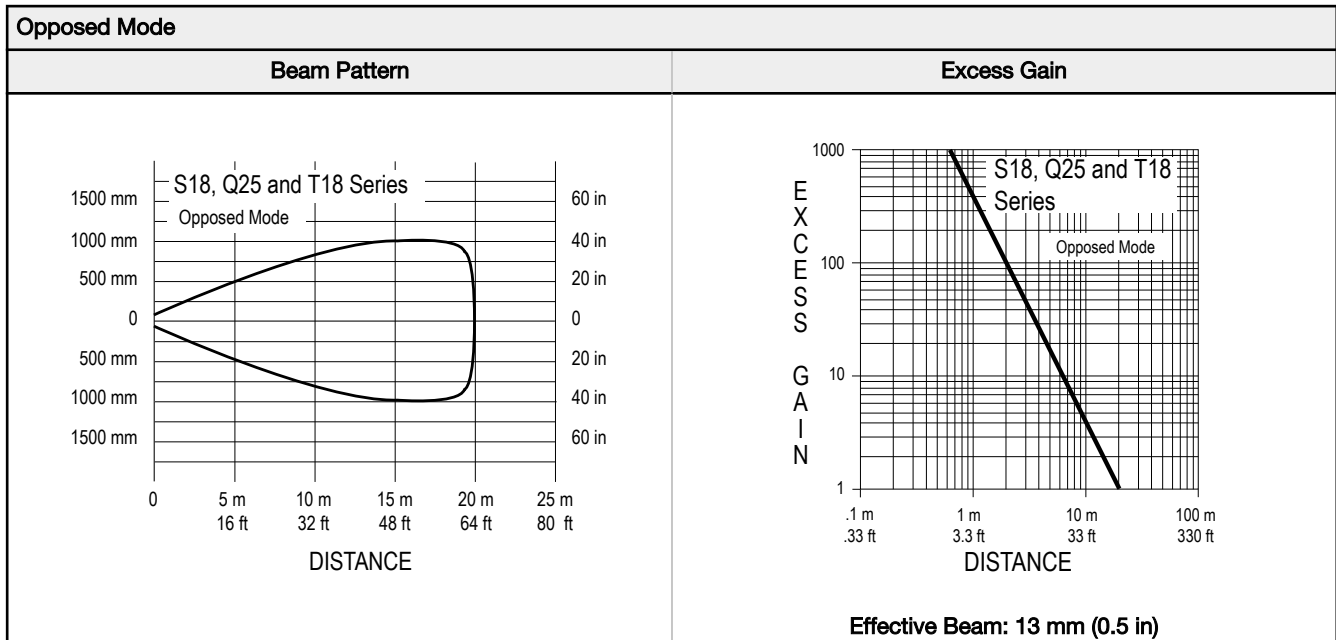
Operating Temperature

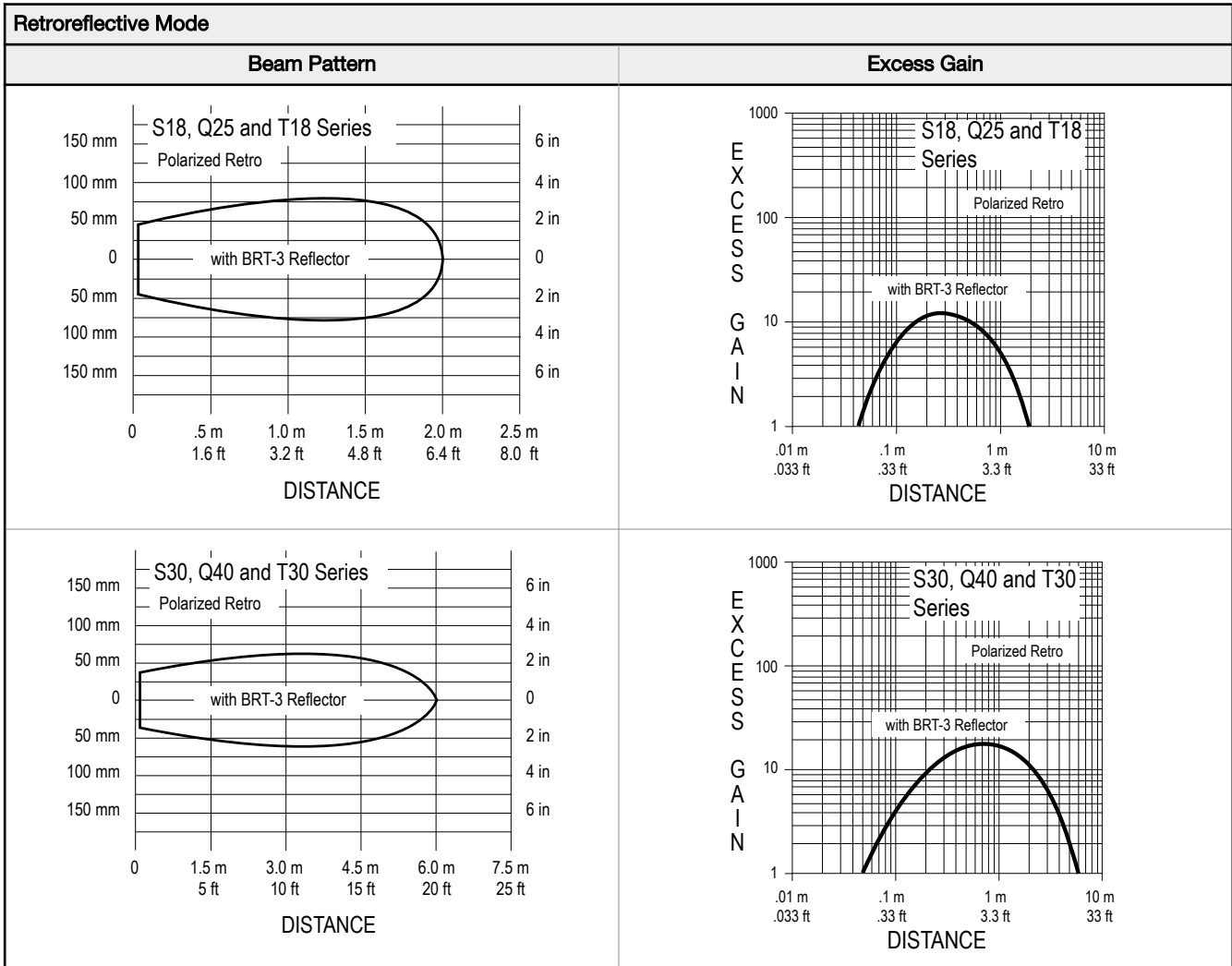
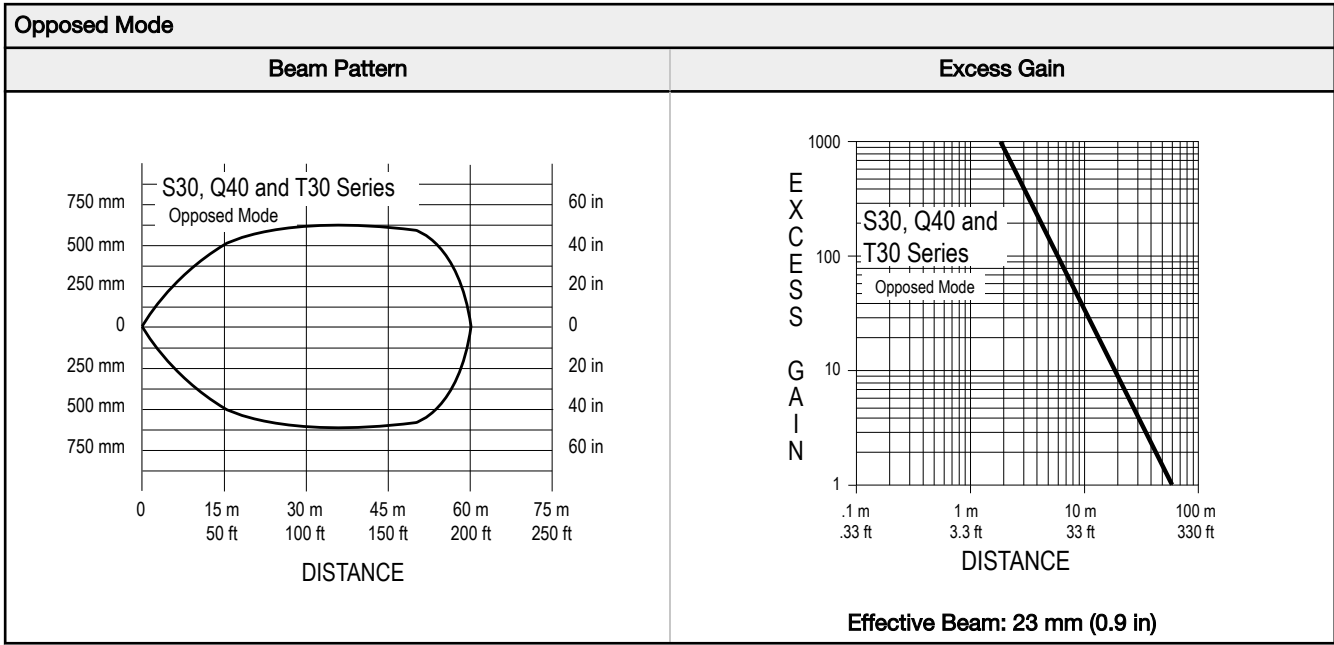
-40 °C to +70 °C (-40 °F to +158 °F)
90% at +50 °C maximum relative humidity (non-condensing)

Vibration and Mechanical Shock

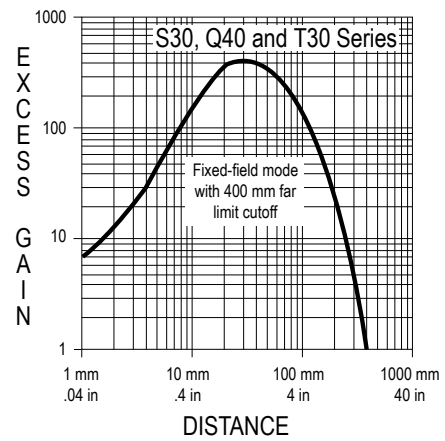
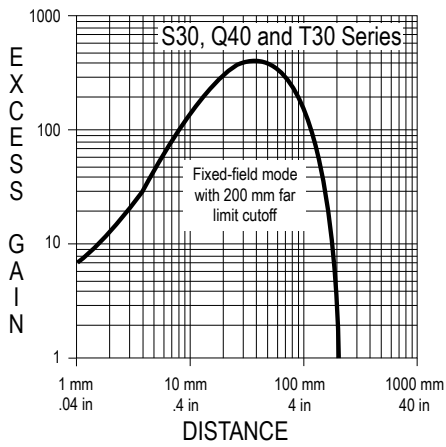
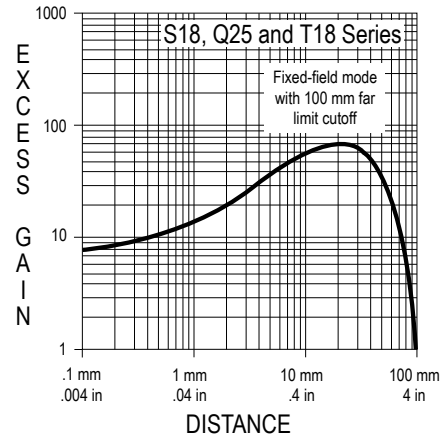
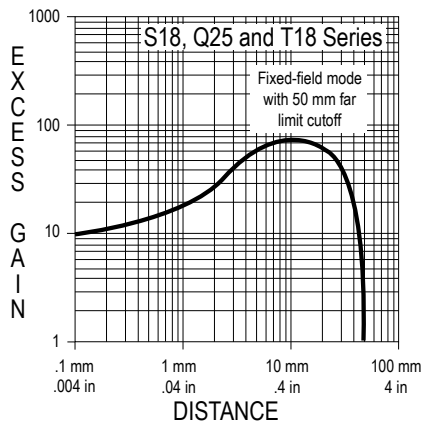
All models meet MIL-STD-202F, Method 201A (Vibration: 10 Hz to 60 Hz maximum, 0.06 inch (1.52 mm) double amplitude, 10G acceleration) requirements. Method 213B conditions H&I. Shock: 75G with device operating; 100G for non-operation

Performance Curves

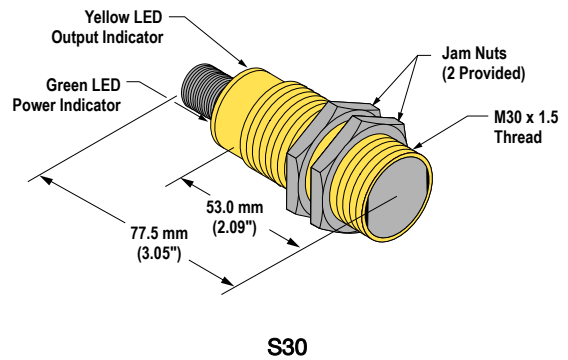
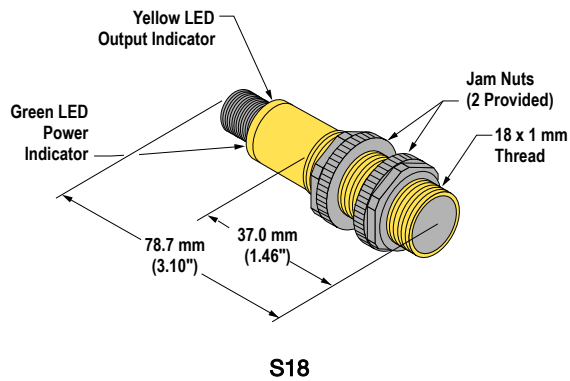


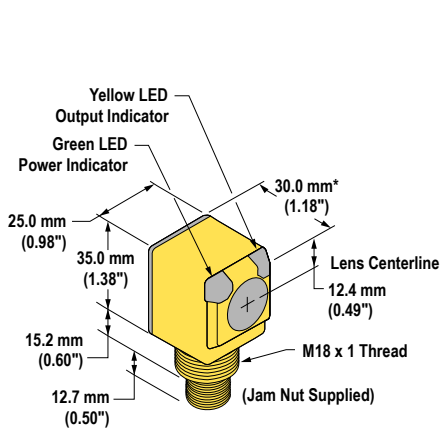


Fixed-Field Mode - Performance Based on 90% Reflectance White Test Card

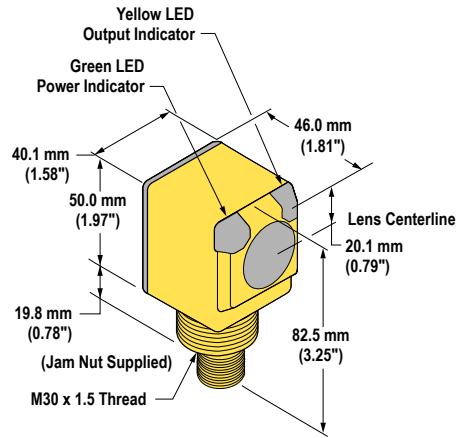


Dimensions

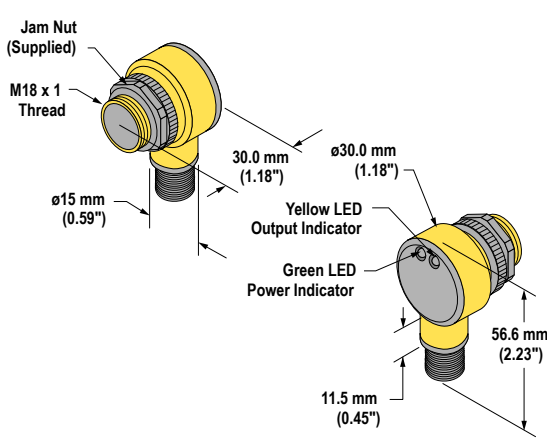




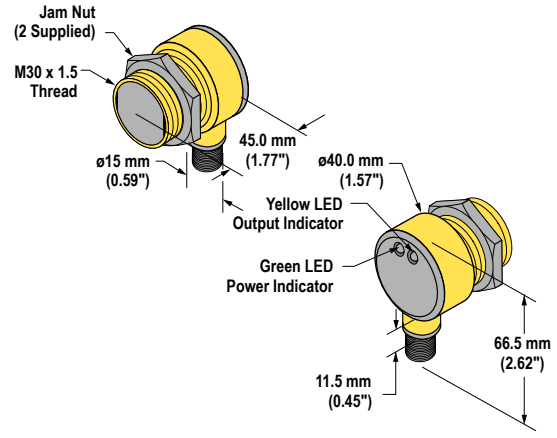
Q25



Q40



T18



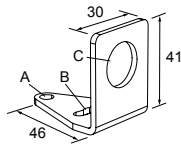
T30

Accessories

Brackets

SMB18A

- Right-angle mounting bracket with a curved slot for versatile orientation
- 12-ga. stainless steel
- 18 mm sensor mounting hole
- Clearance for M4 (#8) hardware

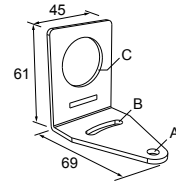


Hole center spacing: A to B = 24.2

Hole size: A = ϕ 4.6, B = 17.0 x 4.6, C = ϕ 18.5

SMB30A

- Right-angle bracket with curved slot for versatile orientation
- Clearance for M6 (1/4 in) hardware
- Mounting hole for 30 mm sensor
- 12-ga. stainless steel

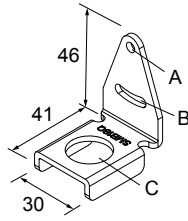


Hole center spacing: A to B = 40

Hole size: A = ϕ 6.3, B = 27.1 x 6.3, C = ϕ 30.5

SMB18Q

- Right-angle flanged bracket
- 18 mm sensor mounting hole
- 12-ga. stainless steel

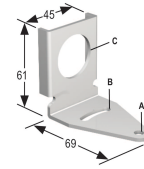


Hole center spacing: A to B = 24.2

Hole size: A = \varnothing 4.6, B = 17.0 x 4.6, C = \varnothing 19.0

SMB30Q

- Right-angle flanged mounting bracket with curved slot for versatile orientation
- 12-ga. stainless steel
- Mounting hole for 30 mm sensor

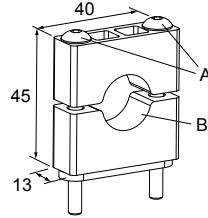


Hole center spacing: A to B=40

Hole size: A= \varnothing 6.3, B= \varnothing 27.1 x 6.3, C= \varnothing 30.7

SMB18C

- 18 mm split clamp, black thermoplastic polyester
- Stainless steel mounting hardware included

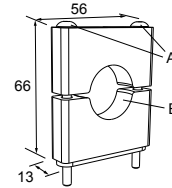


A = \varnothing 3 mm (2)

Hole size: B = \varnothing 18 mm

SMB30C

- 30 mm split clamp, black PBT bracket
- Stainless steel mounting hardware included
- Mounting hole for 30 mm sensor

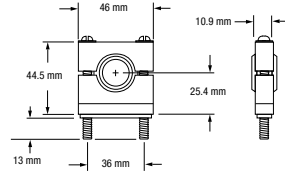


Hole center spacing: A= \varnothing 45

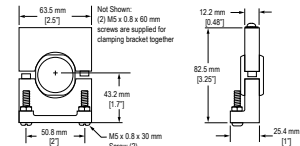
Hole size: B= \varnothing 27.2

SMB18S

- 18 mm swivel bracket
- Black thermoplastic polyester
- Stainless steel mounting hardware included (Two M5 x 0.8 x 60 mm screws)

**SMB30S**

- Swivel bracket with 30 mm mounting hole for sensor
- Adjustable captive swivel ball
- Black reinforced thermoplastic polyester
- Stainless steel mounting and swivel locking hardware included



Banner Engineering Corp Limited Warranty

Banner Engineering Corp. warrants its products to be free from defects in material and workmanship for one year following the date of shipment. Banner Engineering Corp. will repair or replace, free of charge, any product of its manufacture which, at the time it is returned to the factory, is found to have been defective during the warranty period. This warranty does not cover damage or liability for misuse, abuse, or the improper application or installation of the Banner product.

THIS LIMITED WARRANTY IS EXCLUSIVE AND IN LIEU OF ALL OTHER WARRANTIES WHETHER EXPRESS OR IMPLIED (INCLUDING, WITHOUT LIMITATION, ANY WARRANTY OF MERCHANTABILITY OR FITNESS FOR A PARTICULAR PURPOSE), AND WHETHER ARISING UNDER COURSE OF PERFORMANCE, COURSE OF DEALING OR TRADE USAGE.

This Warranty is exclusive and limited to repair or, at the discretion of Banner Engineering Corp., replacement. **IN NO EVENT SHALL BANNER ENGINEERING CORP. BE LIABLE TO BUYER OR ANY OTHER PERSON OR ENTITY FOR ANY EXTRA COSTS, EXPENSES, LOSSES, LOSS OF PROFITS, OR ANY INCIDENTAL, CONSEQUENTIAL OR SPECIAL DAMAGES RESULTING FROM ANY PRODUCT DEFECT OR FROM THE USE OR INABILITY TO USE THE PRODUCT, WHETHER ARISING IN CONTRACT OR WARRANTY, STATUTE, TORT, STRICT LIABILITY, NEGLIGENCE, OR OTHERWISE.**

Banner Engineering Corp. reserves the right to change, modify or improve the design of the product without assuming any obligations or liabilities relating to any product previously manufactured by Banner Engineering Corp. Any misuse, abuse, or improper application or installation of this product or use of the product for personal protection applications when the product is identified as not intended for such purposes will void the product warranty. Any modifications to this product without prior express approval by Banner Engineering Corp will void the product warranties. All specifications published in this document are subject to change; Banner reserves the right to modify product specifications or update documentation at any time. Specifications and product information in English supersede that which is provided in any other language. For the most recent version of any documentation, refer to: www.bannerengineering.com.

For patent information, see www.bannerengineering.com/patents.



more sensors, more solutions