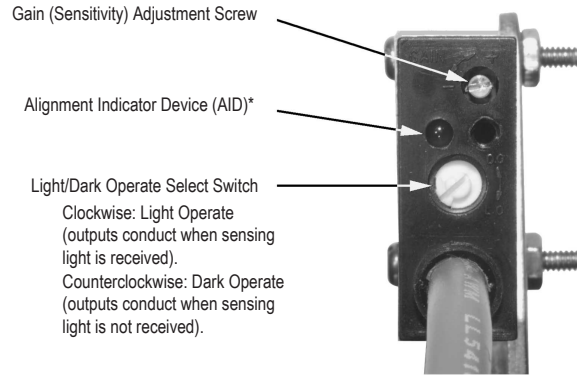


## Installation Guide

Photoelectric sensors with electromechanical relay output

Figure 1. Sensor shown with gasketed acrylic cover removed.



\*U.S. Patent no. 4356393



**WARNING:**

- Do not use this device for personnel protection
- Using this device for personnel protection could result in serious injury or death.
- This device does not include the self-checking redundant circuitry necessary to allow its use in personnel safety applications. A device failure or malfunction can cause either an energized (on) or de-energized (off) output condition.

## Models

Model <sup>1</sup>	Range	LED	Sensing Mode	
SMU31E	3 m (10 ft)	Infrared, 880 nm	Opposed Emitter	<p>OPPOSED</p>
SMU31R			Opposed Receiver	
SMU31EL			Opposed Emitter - Long Range	
SMU31RL	30 m (100 ft)	Opposed Receiver - Long Range		
SMU315LV	5 m (15 ft)	Visible Red, 650 nm	Non-Polarized Retroreflective	<p>RETRO</p>
SMU315LP	10 mm to 3 m (0.4 in to 10 ft)		Polarized Retroreflective	<p>POLAR RETRO</p>
SMU315D	380 mm (15 in)		Diffuse	
SMU315W	130 mm (5 in)	Infrared, 880 nm	Divergent Diffuse	<p>DIFFUSE</p>
SMU315CV	16 mm (0.65 in) 1.3 mm (0.05 in) <sup>2</sup>	Visible Red, 650 nm	Convergent	<p>CONVERGENT</p>
SMU315CV2	43 mm (1.7 in) 3 mm (0.07 in) <sup>2</sup>			

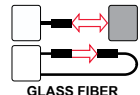
<sup>1</sup> Integral 2 m (6.5 ft) unterminated cable models are listed.

• To order the 9 m (30 ft) PVC cable model, add the suffix "W/30" to the cabled model number. For example, SMU31E W/30.

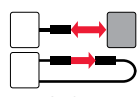
<sup>2</sup> Spot size (diameter of sensing beam) at focus.



Model <sup>1</sup>	Range	LED	Sensing Mode
SMU315F	Range varies depending on sensing mode and fiber optics used	Infrared , 880 nm	Glass Fiber Optic
SMU315FV		Visible Red, 650 nm	
SMU315FP			Plastic Fiber Optic

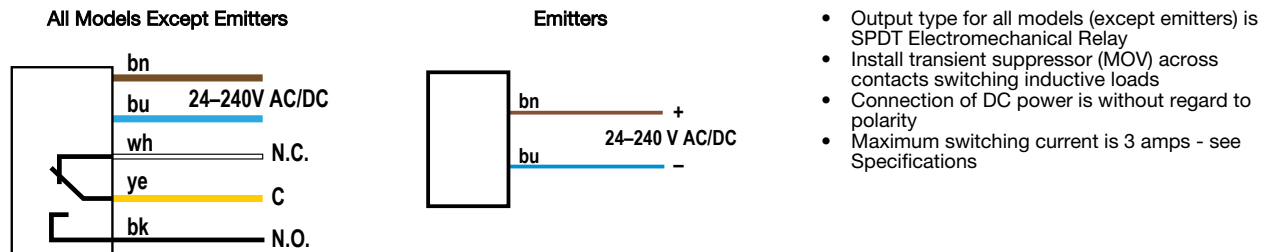


GLASS FIBER



PLASTIC FIBER

## Wiring Diagrams



## Installation and Alignment

MINI-BEAM sensors perform most reliably if they are properly aligned and securely mounted. For maximum mechanical stability, mount MINI-BEAM sensors through 18 mm diameter holes by their threaded barrel (where available), or use a mounting bracket. A complete selection of mounting brackets is available. Visit [www.bannerengineering.com](http://www.bannerengineering.com) or contact Banner Engineering for information on mounting options.

- Begin with line-of-sight positioning of the MINI-BEAM sensor to its emitter (opposed-mode sensing) or to its target (all other sensing modes).
  - When using a retroreflective sensor, the target is the retroreflector (or *retro target*).
  - For diffuse or convergent sensing modes, the target is the object to be detected.
- Apply power to the sensor (and to the emitter, if using the opposed mode).
- Advance the 15-turn Gain control to maximum (clockwise end of rotation), using a small flat-blade screwdriver.
 

The Gain control is clutched at both ends to avoid damage, and will free-wheel when either endpoint is reached.

If the MINI-BEAM sensor is receiving its light signal, then the red LED alignment indicator is ON and flashing at a rate proportional to the signal strength (faster = more signal).
- Move the sensor (or move the retro target, if applicable) up-down-right-left (including angular rotation) to find the center of the movement zone within which the LED indicator remains ON.
- Reduce the Gain setting by turning the Gain control.
 

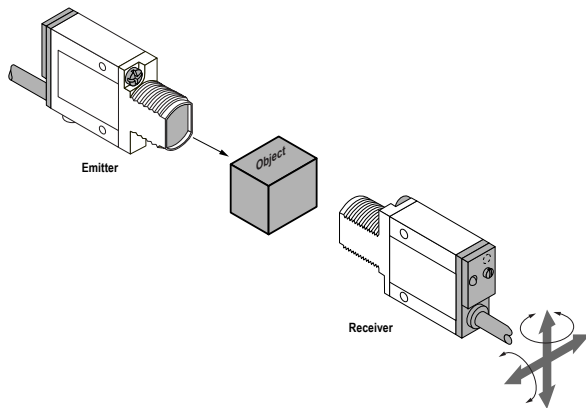
Reducing the Gain setting reduces the size of the movement zone, and enables more precise alignment.
- Repeat the alignment motions after each Gain reduction.
- When optimum alignment is achieved, mount the sensor(s) (and the retro target, if applicable) solidly in that position.
- Increase the Gain to maximum.
- Test the sensor by placing the object to be detected in the sensing position, and then removing it.
 

The Alignment Indicator LED should turn ON when the sensing beam is established (Light condition), and turn OFF when the beam is broken (Dark condition).

<sup>1</sup> Integral 2 m (6.5 ft) unterminated cable models are listed.

- To order the 9 m (30 ft) PVC cable model, add the suffix "W/30" to the cabled model number. For example, SMU31E W/30.

## Opposed Mode Alignment



*Flooding* occurs when a portion of the sensing beam passes around the object to be sensed. *Burn-through* occurs when a portion of the emitter's light energy passes through a thin or translucent object, and is sensed by the receiver.

To correct either problem, do one or more of the following to reduce the light energy:

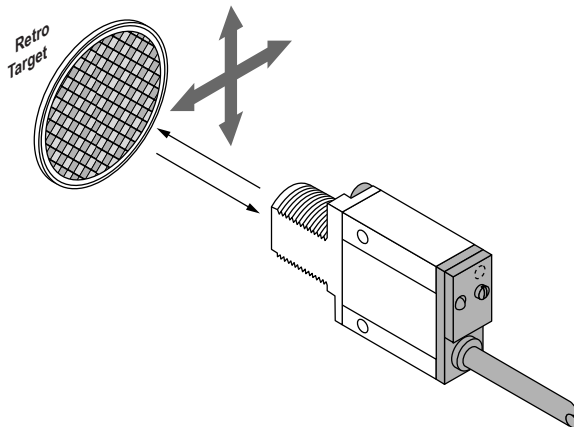
- Reduce the Gain adjustment on the receiver
- Add an aperture to one or both lenses (MINI-BEAM apertures, available from Banner, fit neatly inside the lens assembly)
- Intentionally misalign the emitter and receiver



### Note:

- Light condition: sensor output is ON when there is no object in the beam
- Dark condition: sensor output is ON when there is an object in the beam

## Retroreflective Mode Alignment



A highly reflective object may reflect enough light back to a retroreflective sensor to allow that object to slip through the beam, without being detected. This problem is called *proxing*, and the following methods may be used to correct it:

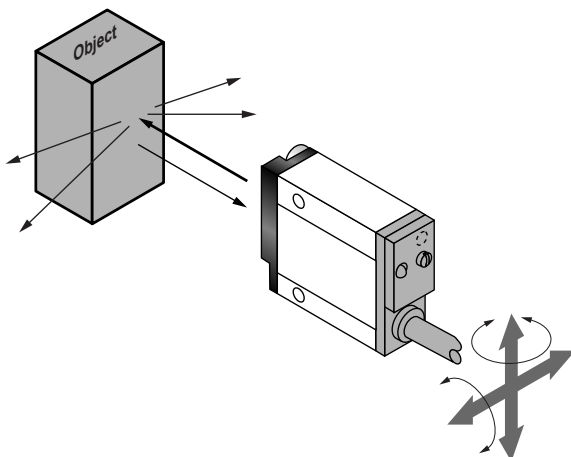
- Position the sensor and retro target so the beam will not strike a shiny surface perpendicular to the sensor lens
- Reduce the Gain adjustment
- Add a polarizing filter (for model SMU315LV).



### Note:

- Light condition: sensor output is ON when there is no object in the beam
- Dark condition: sensor output is ON when there is an object in the beam

## Diffuse Mode Alignment



If the Alignment LED does not turn OFF when the object is removed from the beam, the sensor is probably detecting light reflected from some background object. To remedy this problem:

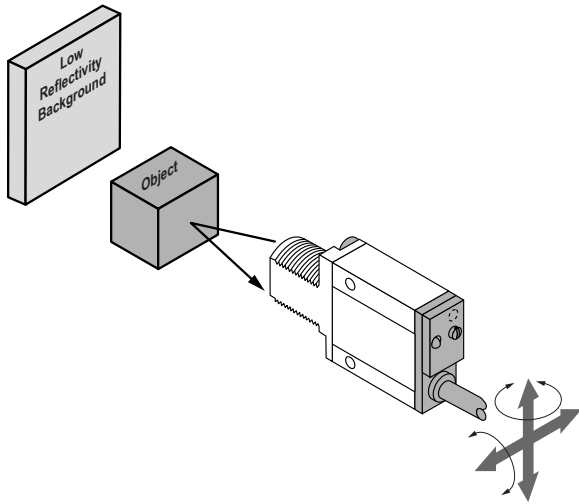
- Reduce the reflectivity of the background by painting the surface(s) flat-black, scuffing any shiny surface, or drilling a large hole, directly opposite the diffuse sensor
- Move the sensor closer to the object to be detected and reduce the Gain adjustment. Rule of thumb for diffuse sensing: The distance to the nearest background object should be at least three times the sensing distance



### Note:

- Light condition: sensor output is ON when there is an object in the beam
- Dark condition: sensor output is ON when there is no object in the beam

## Convergent Mode Alignment



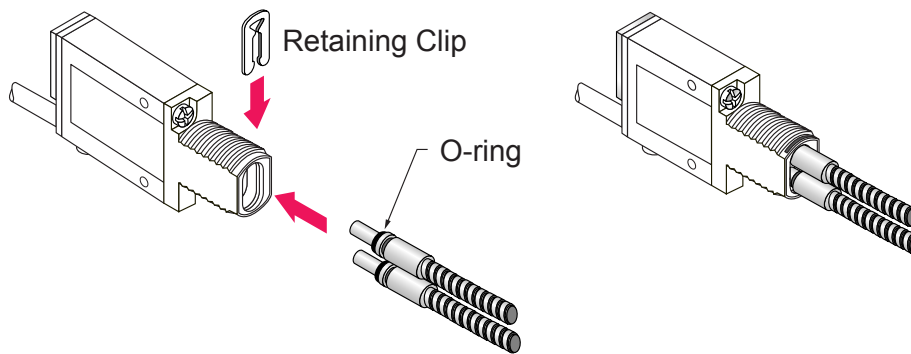
The sensing energy of a convergent mode sensor is concentrated at the specified focus point. Convergent mode sensors are less sensitive to background reflections, compared with diffuse mode sensors. However, if background reflections are a problem:

- Skew the sensor position at a 10° to 25° angle to eliminate direct reflections from shiny background surfaces
- Reduce the reflectivity of the background by painting the surface(s) flat-black, scuffing any shiny surface, or drilling a large hole, directly opposite the sensor
- Reduce the Gain adjustment

### Note:

- Light condition: sensor output is ON when there is an object in the beam
- Dark condition: sensor output is ON when there is no object in the beam

## Installing the Glass Fibers in MINI-BEAMS



1. Install the O-ring (supplied with the fiber) on each fiber end, as shown in the drawing.
2. While pressing the fiber ends firmly into the ports on the sensor front, slide the U-shaped retaining clip (supplied with the sensor) into the slot in the sensor's barrel, until it snaps into place.

## Installing Plastic Fibers on a MINI-BEAM

Follow these instructions to install plastic fibers into your sensor. MINI-BEAMS may have either a fiber gripper or a clamp screw. **MINI-BEAM** and **ECONO-BEAM** sensors for use with plastic fiber optic assemblies include sensors with the letters **FP** in their model number.

Figure 2. MINI-BEAM with fiber grippers

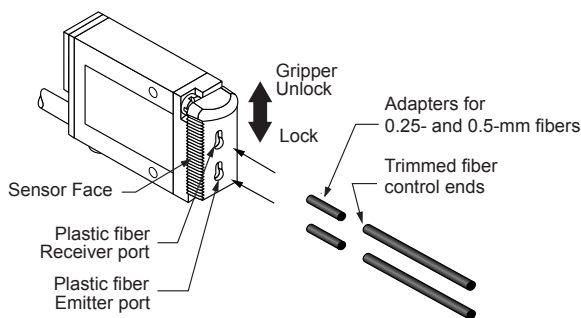
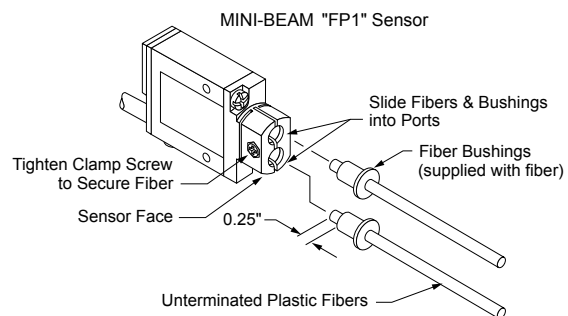


Figure 3. MINI-BEAM with clamp screws



1. Prepare the sensor ends of the fibers (see [Cut the Plastic Fiber](#) on p. 5).
2. Prepare the sensor for the fibers.
  - For models with a fiber gripper: Unlock the fiber gripper as shown in the figure and apply the appropriate fiber adapters to the fiber, if needed.

- For models with a clamp screw: Loosen the clamp screw on the sensor face.
3. Insert the plastic fibers.
    - For models with a fiber gripper: Gently insert the prepared fiber ends into the ports as far as they will go.
    - For models with a clamp screw: Align the fiber ends flush with the ends of the bushings as shown. Hold the bushings to the fibers and slide both into the sensor ports. Push the fiber an additional 1 inch through the bushing.
  4. Lock in the fibers.
    - For models with a fiber gripper: Slide the fiber gripper back to lock, as shown in the figure.
    - For models with a clamp screw: Tighten the clamp screw to secure the fibers.

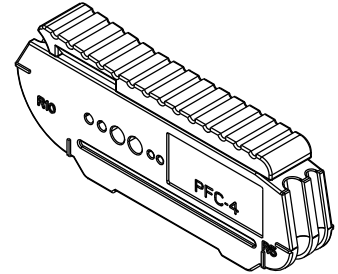
### Cut the Plastic Fiber

An unterminated plastic fiber is designed to be cut by the customer to the length required for the application. To facilitate cutting, a Banner model PFC-4 cutting device is supplied with this fiber.

1. Locate the non-terminated end, and determine the length of fiber required for the application.
2. Lift the top of the cutter to open the cutting ports.
3. Insert the non-terminated end through one of the four large cutting ports on the PFC-4 cutter so that the excess fiber protrudes from the back of the cutter.
4. Double-check the fiber length, and close the cutter until the fiber is cut.
5. Gently wipe the cut ends of the fiber with a clean, dry cloth to remove any contamination.



**Note:** Do not use solvents or abrasives on any exposed optical fiber. Do not use a cutting port more than once. The blade may tend to dull after one cut.



## Specifications

### Supply Voltage and Current

24 V AC to 240 V AC, 50/60 Hz or  
24 V DC to 240 V DC (1.5 watts or 2.5 VA maximum)

### Supply Protection Circuitry

Protected against transient voltages. DC wiring is without regard to polarity.

### Output Configuration

SPDT (Single-Pole, Double Throw) (form C) electromechanical relay, ON/OFF output

### Output Rating

**Maximum switching power (resistive load):** 90 watts, 250 VA  
**Maximum switching voltage (resistive load):** 250 V AC or 30 V DC  
**Maximum switching current (resistive load):** 3 A  
**Minimum voltage and current:** 5 V DC, 10 mA  
**Mechanical life:** 20,000,000 operations  
**Electrical life at full resistive load:** 100,000 operations

### Output Protection Circuitry

Protected against false pulse on power up

### Output Response Time

**Closure time:** 20 milliseconds maximum  
**Release time:** 20 milliseconds maximum  
**Maximum switching speed:** 25 operations per second

### Repeatability

**All sensing modes:** 1 millisecond

### Adjustments

Light/Dark Operate select switch  
15-turn slotted brass screw Gain (sensitivity) adjustment potentiometer  
Located on rear panel, protected by gasketed, clear acrylic cover. See Installation and Alignment.

### Indicators

Patented Alignment Indicator Device system (AID™) lights a rear-panel-mounted LED indicator whenever the sensor sees a "light" condition. Its pulse rate is proportional to the light signal strength (the stronger the signal, the faster the pulse rate).

### Construction

Reinforced thermoplastic polyester housing, totally encapsulated, o-ring seal, acrylic lenses, and stainless steel screws

### Environmental Rating

NEMA 1, NEMA 2, NEMA 3, NEMA 3S, NEMA 4, NEMA 4X, NEMA 63, NEMA 12, and NEMA 13  
IEC IP67

### Connections

5-conductor (2-conductor for emitters) 2 m (6.5 ft) unterminated PVC-jacketed cable or 9 m (30 ft) unterminated PVC-jacketed cable

### Operating Conditions

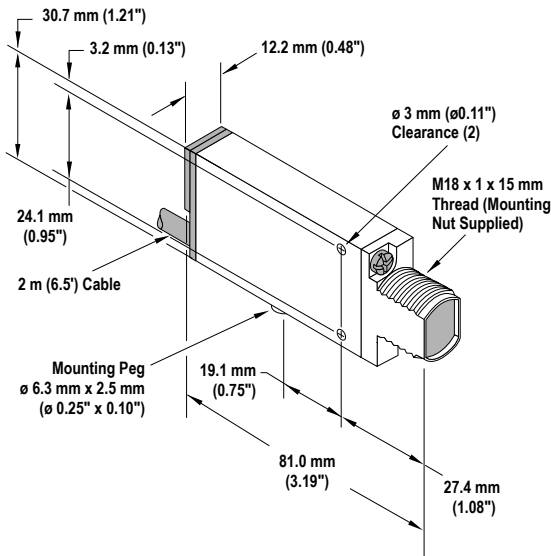
**Temperature:** -20 °C to +55 °C (-4 °F to +131°F)  
90% at +50 °C maximum relative humidity (non-condensing)

### Application Note

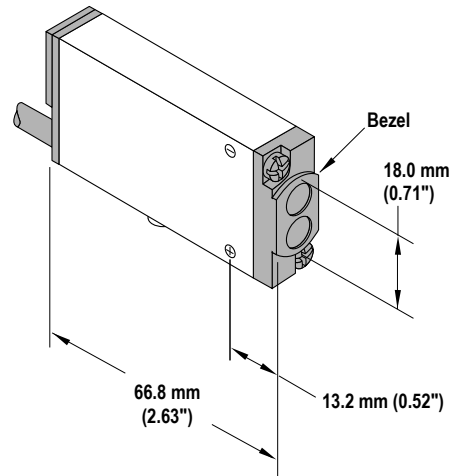
Install transient suppressor (MOV) across contacts switching inductive loads

Dimensions

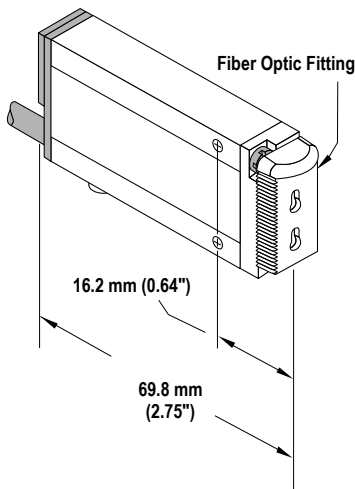
Models with suffix E, EL, R, RL, LV, LP, D, CV, and CV2



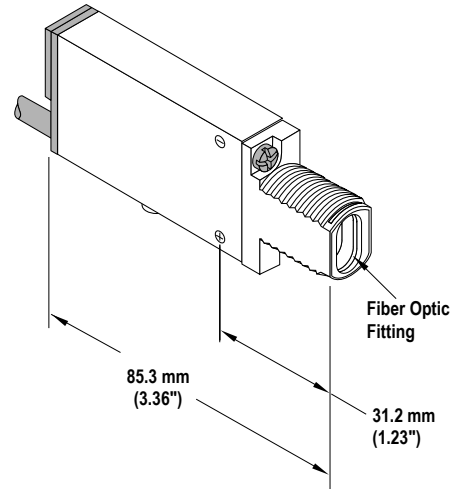
Model SMU315W



Model SMU315FP



Models with suffix F and FV



Banner Engineering Corp. Limited Warranty

Banner Engineering Corp. warrants its products to be free from defects in material and workmanship for one year following the date of shipment. Banner Engineering Corp. will repair or replace, free of charge, any product of its manufacture which, at the time it is returned to the factory, is found to have been defective during the warranty period. This warranty does not cover damage or liability for misuse, abuse, or the improper application or installation of the Banner product.

**THIS LIMITED WARRANTY IS EXCLUSIVE AND IN LIEU OF ALL OTHER WARRANTIES WHETHER EXPRESS OR IMPLIED (INCLUDING, WITHOUT LIMITATION, ANY WARRANTY OF MERCHANTABILITY OR FITNESS FOR A PARTICULAR PURPOSE), AND WHETHER ARISING UNDER COURSE OF PERFORMANCE, COURSE OF DEALING OR TRADE USAGE.**

This Warranty is exclusive and limited to repair or, at the discretion of Banner Engineering Corp., replacement. **IN NO EVENT SHALL BANNER ENGINEERING CORP. BE LIABLE TO BUYER OR ANY OTHER PERSON OR ENTITY FOR ANY EXTRA COSTS, EXPENSES, LOSSES, LOSS OF PROFITS, OR ANY INCIDENTAL, CONSEQUENTIAL OR SPECIAL DAMAGES RESULTING FROM ANY PRODUCT DEFECT OR FROM THE USE OR INABILITY TO USE THE PRODUCT, WHETHER ARISING IN CONTRACT OR WARRANTY, STATUTE, TORT, STRICT LIABILITY, NEGLIGENCE, OR OTHERWISE.**

Banner Engineering Corp. reserves the right to change, modify or improve the design of the product without assuming any obligations or liabilities relating to any product previously manufactured by Banner Engineering Corp. Any misuse, abuse, or improper application or installation of this product or use of the product for personal protection applications when the product is identified as not intended for such purposes will void the product warranty. Any modifications to this product without prior express approval by Banner Engineering Corp will void the product warranties. All specifications published in this document are subject to change; Banner reserves the right to modify product specifications or update documentation at any time. Specifications and product information in English supersede that which is provided in any other language. For the most recent version of any documentation, refer to: [www.bannerengineering.com](http://www.bannerengineering.com).

For patent information, see [www.bannerengineering.com/patents](http://www.bannerengineering.com/patents).