

Over-Height Detection Kit Features

- Opposed-mode sensors detect vehicles taller than a pre-determined height as they pass the enclosure.
- Kit includes sensors, field-wireable connectors, brackets, and mounting hardware.

List of Materials

Kit includes parts for mounting one T30 opposed-mode sensor pair:

Quantity	Model	Description
2	–	Stainless steel base brackets
2	SMB30SC	Swivel mounting brackets
1	T30SN6RQ	T30 Receiver, 10-30V dc power, NPN output, 4-pin Euro-style QD fitting
1	T30SN6EQ	T30 Emitter, 10-30V dc power, 4-pin Euro-style QD fitting
2	FIC-M12F4	Field-installable 4-pin female connectors
1	–	Mounting hardware packet

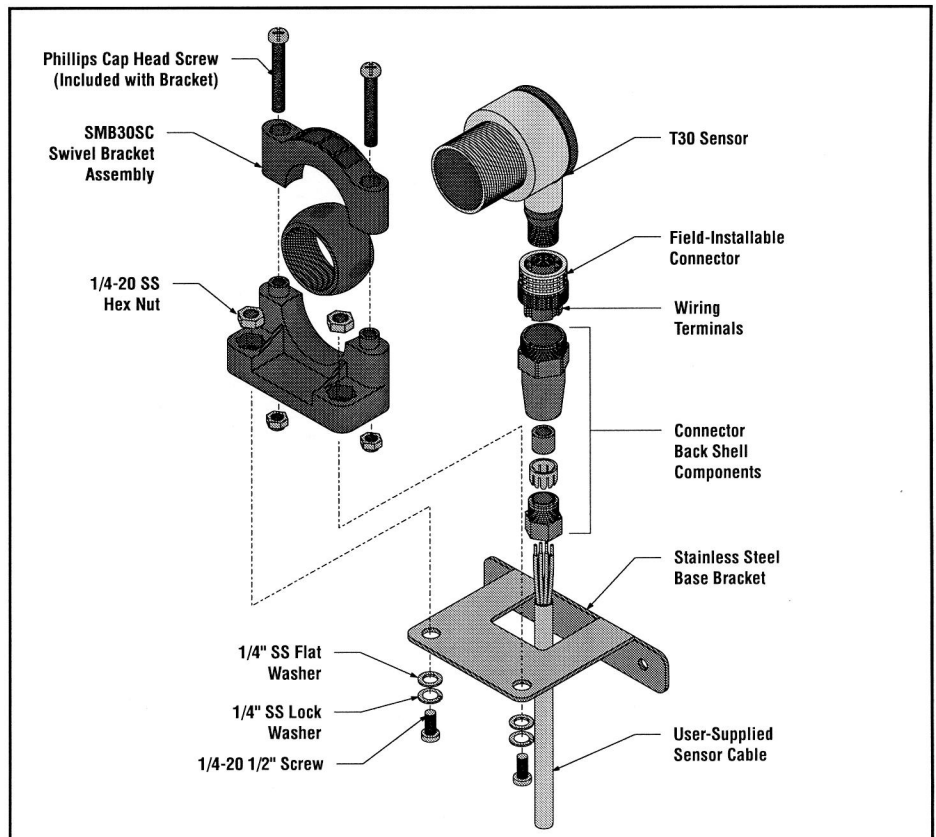


Figure 1. Over-Height Detection Kit components

Over-Height Detection Kit – For BMHE Series Heated Enclosures

Assembly Directions

To reduce the risk of optical crosstalk, mount the T30 emitter above the light screen receiver, and the T30 receiver above the light screen emitter.

1. Route the user-supplied sensor cable into the heated enclosure, allowing enough length to reach the top of the enclosure; trim excess length. (Receivers require 4-wire cable; emitters require only 2 wires.)
2. Strip the cable jacket 22-26 mm and each conductor wire insulation 6 mm. Slide back shell components onto cable (Figure 1).
3. Loosen the screws in the connector wiring terminals; insert the wires as indicated in the hookup diagrams; tighten screws to hold the wires in place. Assemble the back shell components to the connector. (The rear nut should be finger-tight.)
4. Assemble the sensor to the swivel bracket; attach the swivel bracket to the stainless steel base bracket.
5. Slide a spring nut into each of the 2 heated enclosure channels. Attach the stainless steel base bracket to the enclosure, by attaching the two stainless steel 10-32x1/2" screws, lock washers and flat washers through the holes in the bracket and into the spring nuts.
6. Attach the cable connector to the sensor QD connector.
7. Mechanically align the two sensors.

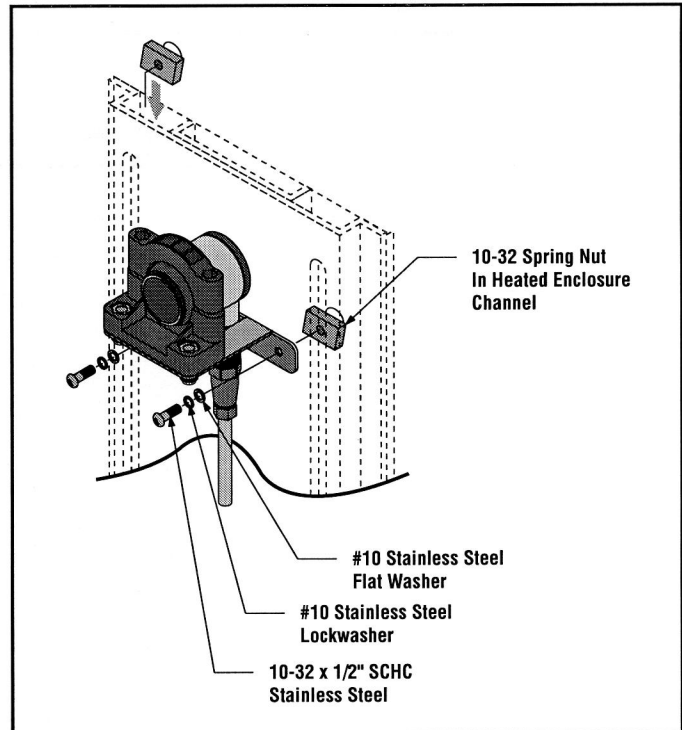
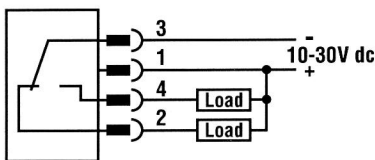


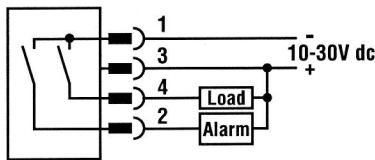
Figure 2. Over-Height Detection Kit, shown assembled and ready to install into heated enclosure

Hookups

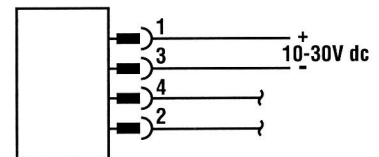
T30SN6RQ Receiver
Standard Hookup



T30SN6RQ Receiver
Alarm Hookup



T306EQ Emitter



NOTE: No connection to connector pins 2 and 4.

WARRANTY: Banner Engineering Corp. warrants its products to be free from defects for one year. Banner Engineering Corp. will repair or replace, free of charge, any product of its manufacture found to be defective at the time it is returned to the factory during the warranty period. This warranty does not cover damage or liability for the improper application of Banner products. This warranty is in lieu of any other warranty either expressed or implied.

BANNER[®]
more sensors, more solutions